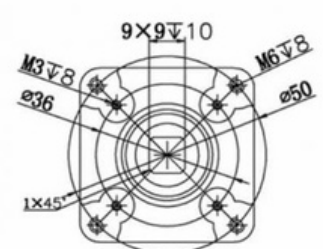
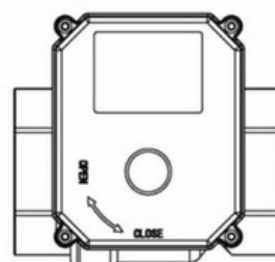
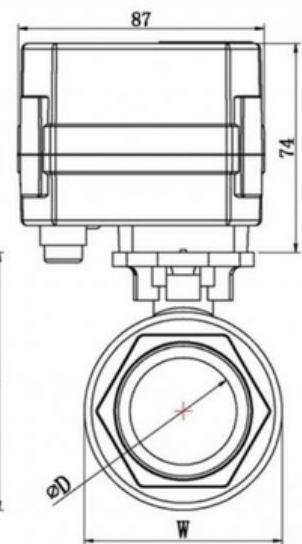
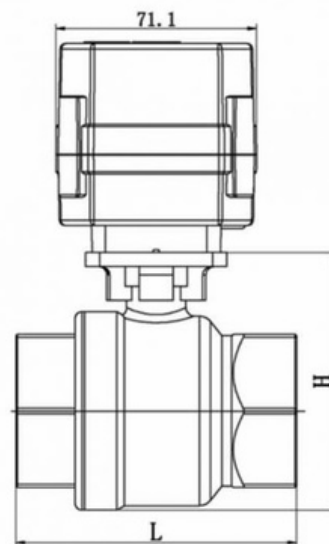
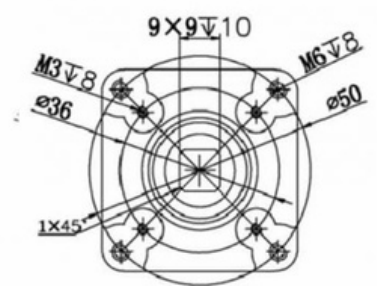
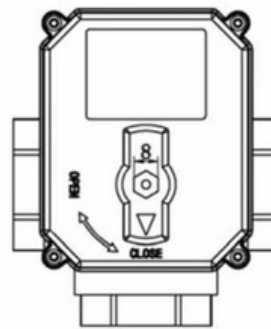
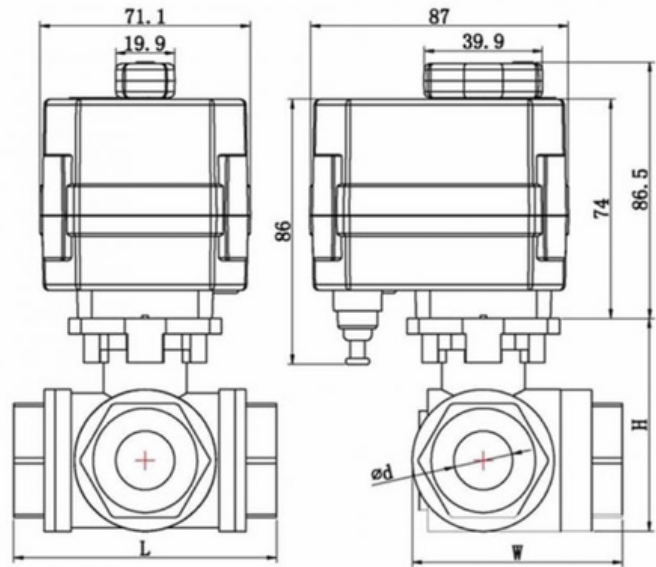


Main Parameter of CTF-001 9-24vac valve actuator

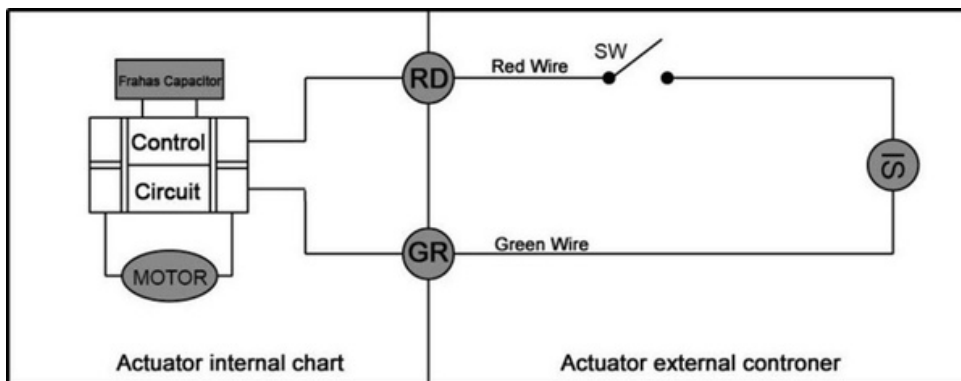
Product model	CTF-001
Output torque	10NM
Rated voltage	DC5V, DC12V, A/DC9-35V, AC220V, AC85-265V
Power	20W
Working current	< 500mA, < 300mA, < 100mA
Open/close time	10S
Position Indicator	Visible Handle bar control
Manual override Manual Operation	yes
Feedback Signal	yes
Gear Material	Fully metal gear
Working pressure	Max1.6Mpa
Environment temperature	0-50°C
Product life time	
Medium temperature	0-90°C
IP Grade	IP65
Valve Body Material	Brass, UPVC, Stainless Steel
Valve size	2way DN15-50, 3way DN15-40
Control mode	CR01 CR02 CR03 CR04 CR05 CR01S CR02S CR03S CR04S CR05S
Thread Standard	G, BSPP, NPT
Connection Method	Thread Screw, Adhesive
Sealing	Silicon Rubber, NBR, EPDM
Seat	PTFE



Schematic & Dimension of CTF-001 9-24vac valve actuator

Stainless steel	Connection	Size	d mm	L mm	H mm	W kg
	Both female thread full port	DN15	15	62	55	0.8
		DN20	20	71	63	0.873
		DN25	25	81	78	0.968
		DN32	32	93	84	1.433
		DN40	40	102	91	1.72
DN50	50	118	107	2.157		
3-way horizontal type (brass)	Size	d mm	L1 mm	L2 mm	H mm	W kg
	DN15	15	61	48	46	0.862
	DN20	20	67	48	54	0.992
	DN25	25	96	74	68	1.256
	DN32	32	89.32	68	57	1.546
3-way horizontal type (stainless steel)	DN15	15	80	52	54	1.042
	DN20	20	82	62	59	1.253
	DN25	25	87	67	71	1.457
	DN32	32	115	90	89	2.788
UPVC	Connection	Size	d mm	L mm	H mm	W kg
	Both female thread/Glue full port	DN15	15	121	50	0.795
		DN20	20	135	62	0.933
		DN25	25	150	69	1.052
		DN32	32	165	82	1.26
		DN40	40	181	99	1.55
DN50	50	206	122	2.232		

CR04 (two wires and fail-safe/power-off return) Voltage: ADC9-24V/AC85-265V



1.SW connect, furthermore the valve open/close, getting the position and the power off automatically. Moreover the valve remains fully open/close position.

2.SW disconnect, furthermore the valve close/open, getting the position and power off automatically. Moreover the valve remains fully close/open position.