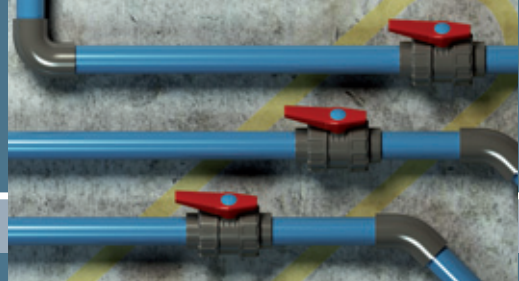


PVC ball valves



Specifications and characteristics

STANDARDS: Jimten ball valves, or the elements they are components of, fulfill the following standards among others:

Threaded: ISO R7, UNI 338, DIN 2999, UNE 19009.

PE pipe connector: UNE 12201, ISO 3501, ISO 3503, ISO 3458, ISO 3459.

Solvent socket: ISO 727, UNI 7422, DIN 8063, NF T54-028, KIWA 54, UNE 1452.

Flanges: ISO 2084, UNI 7442, DIN 8063, UNE 19153.

ASSEMBLING

All the valves, whatever material they are made of, should be free of tension arising from tubing during installation:

SUCH TENSION MAY BE DUE TO: Weight of the tubes and fluid, contractions, dilation, etc.

AND MAY BE CORRECTED BY: Installing support bands at either side of the valves or other anchorage components.

Disassembly ball valves (2 and 3 ways)

- 1.- Unscrew the lock nuts (10) inserting the ends of the tubes to be connected to the valve.
- 2.- Screw, glue, adjust or bolt the valve coupling according to whether it is screw-threaded, solvent weld, for PE tube or for flanges.
- 3.- Insert the valve casing between the two connectors, ensuring that their surfaces are clean and adhesive free, that the arrow on the casing coincides with the flow direction, and that the O-ring gaskets fit into their corresponding slots.
- 4.- Screw the nuts onto the casing starting with the side opposite the direction of the arrow, then the other, checking that the valve is perfectly aligned with the tubing and not under tension.

Valve disassembly under pressure

The valve has been designed so it is possible to disassemble part of the installation while the rest remains under pressure. In order to do so, the valve must be placed in the correct direction, as indicated by the arrow on the casing.



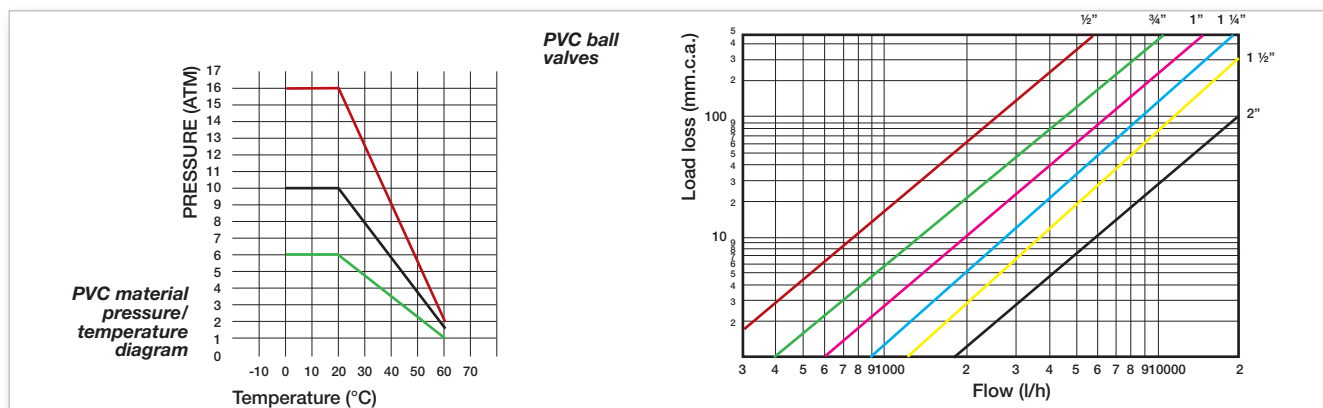
Table of nominal pressures

| Diameter | | DN (mm) | PN (bar) |
|----------|-----------|-----------|----------|
| ≤ 63 | ≤ 2" | ≤ 50 | 16 |
| 75 | 2 ½" - 3" | 65 - 80 | 10 |
| 90-125 | 4" | 100 - 110 | 6 |
| 125 | 4 ½" | 113 | 4 |

NOMINAL PRESSURES

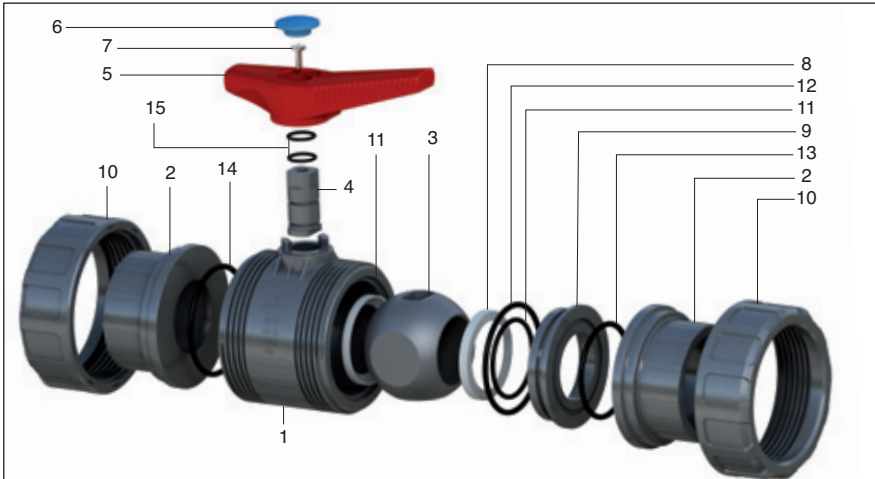
The PN table gives the service pressure operating with water at 20 °C. To obtain other coefficients, pressure reduction coefficients have to be applied according to the temperature and material.

Head loss pressure



PVC ball valves

Components



1.- Body
2.- Connector
3.- Ball
4.- Stem
5.- Handle

6.- Lever cover
7.- Screw
8.- Seat
9.- Seat carrier
10.- Union

11.- Seat o'ring
12.- Seat carrier o'ring
13.- Adjustable part o'ring
14.- Compact part o'ring
15.- Stem o'ring

Materials

| | |
|---------------------------|--|
| Body | $\varnothing \leq 63$ PVC $\varnothing > 63$ PPFV |
| Solvent socket connector | PVC |
| Threaded socket connector | $\varnothing \leq 63$ PVC $\varnothing > 63$ PPFV |
| PE pipe connector | PPFV |
| Flange connector | PVC |
| Ball | $\varnothing \leq 63$ PVC $\varnothing > 63$ PPFV/PVC |
| Seat ball | PTFE |
| Handle | PPFV |
| Lever cover | PE |
| O'ring | NBR FPM |
| Screw | Fe/Zn |

JIMTEN dismantlable ball Valve

HANDLE COVER: PE

- Color code by seat material

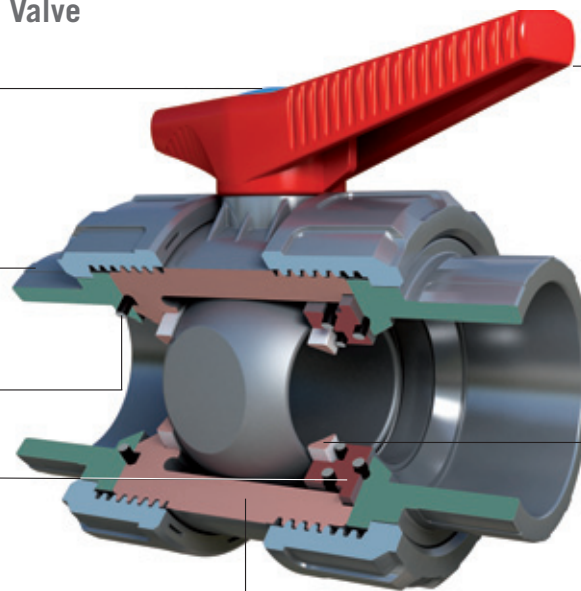
NUTS AND CONNECTORS

Five models totally interchangeable

O'RING GASKETS

NBR or FPM
(Check chemical resistance)

NON BLOCK SYSTEM



HANDLE: PPG

- Ergonomic design.
- JIMTEN brand
- Color code by connectors

SEAT BALL

PTFE or PE
(Check chemical resistance)

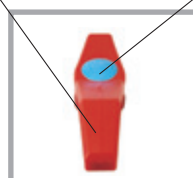
CASING

Indicates brand, size, PN and flow direction

Identification of round valves in color tags for handle and button-handle.

Handle Color.

| | |
|--------------|--|
| RED | Standard. |
| BLACK | Solvent fitting according to ASTM standard. |
| BLACK | Female thread fitting according to NPT standard. |

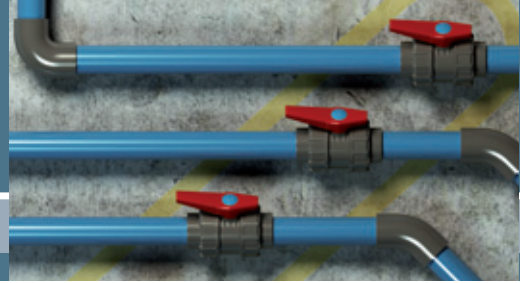


Handle Button Color

| | |
|--------------|------------------------|
| BLUE | NBR Joints (Standard). |
| GREEN | PE Valve Seats. |
| WHITE | EPDM Joints. |
| BLACK | VITON Joints. |

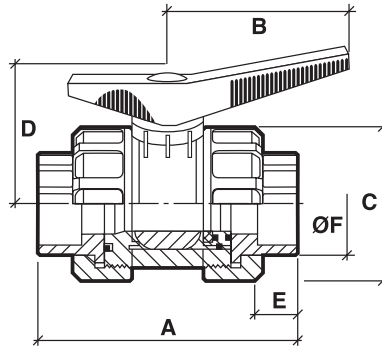
PVC ball valves

Two-way ball valves



PVC ball valves

Solvent socket

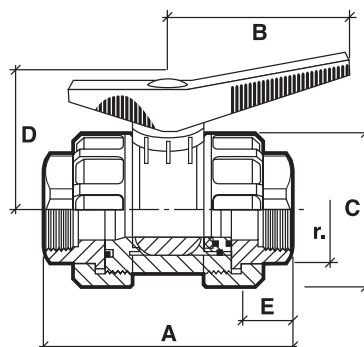


| Size | NBR Joints (Nitrile rubber) | FPM Joints (Viton) |
|-------|--------------------------------|-----------------------|
| | Blue handle button | Black handle button |
| Code | Code | Code |
| 20 | 52201 | 152201 |
| 25 | 52202 | 152202 |
| 32 | 52203 | 152203 |
| 40 | 52204 | 152204 |
| 50 | 52205 | 152205 |
| 63 | 52206 | 152206 |
| 75 | 52207 | 152207 |
| 90** | 52319 | 152319 |
| 90 | 52208 | 152208 |
| 110** | 52320 | 152320 |
| 110 | 52209 | 152209 |
| 125 | 52297 | 152297 |

** Reduced bore.

| Code NBR | Code FPM | Size | A | B | C | D | E | Ø F | Weight (g) | DN |
|----------|----------|-------|-------|------|-------|-------|------|-----|------------|-----|
| 52201 | 152201 | 20 | 82 | 60 | 48 | 46 | 16 | 20 | 125 | 15 |
| 52202 | 152202 | 25 | 99 | 60 | 57 | 49,5 | 20 | 25 | 210 | 20 |
| 52203 | 152203 | 32 | 118 | 75,5 | 69 | 61,5 | 21,5 | 32 | 345 | 25 |
| 52204 | 152204 | 40 | 130,5 | 75,5 | 83,5 | 66 | 25,5 | 40 | 545 | 32 |
| 52205 | 152205 | 50 | 153 | 94,5 | 96 | 80,5 | 31 | 50 | 835 | 40 |
| 52206 | 152206 | 63 | 171 | 94,5 | 113 | 87 | 38,5 | 63 | 1235 | 50 |
| 52207 | 152207 | 75 | 209 | 143 | 140 | 115 | 44,5 | 75 | 1620 | 65 |
| 52319 | 152319 | 90** | 220 | 143 | 140 | 115 | 44,5 | 90 | 1690 | 65 |
| 52208 | 152208 | 90 | 243 | 185 | 166,5 | 130 | 51 | 90 | 2755 | 80 |
| 52320 | 152320 | 110** | 248 | 185 | 166,5 | 130 | 51 | 110 | 2827 | 80 |
| 52209 | 152209 | 110 | 307 | 235 | 208 | 155 | 60 | 110 | 5240 | 100 |
| 52297 | 152297 | 125 | 322,5 | 235 | 208 | 155,5 | 67,5 | 125 | 5250 | 100 |

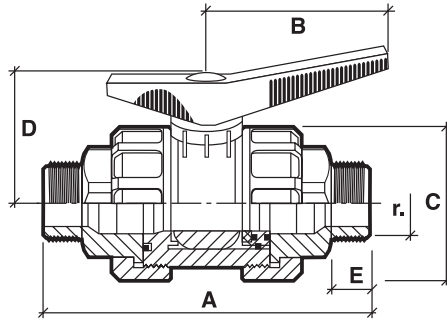
Female threaded socket



| Size | NBR Joints (Nitrile rubber) | FPM Joints (Viton) |
|------|--------------------------------|-----------------------|
| | Blue handle button | Black handle button |
| Code | Code | Code |
| ½" | 52234 | 152234 |
| ¾" | 52235 | 152235 |
| 1" | 52236 | 152236 |
| 1¼" | 52237 | 152237 |
| 1½" | 52238 | 152238 |
| 2" | 52239 | 152239 |
| 2 ½" | 52240 | 152240 |

| Code NBR | Code FPM | Size | A | B | C | D | E | r. | Weight (g) | DN |
|----------|----------|------|------|------|-------|-------|------|------|------------|----|
| 52234 | 152234 | ½" | 76,5 | 60 | 48 | 45 | 11,5 | ½" | 130 | 15 |
| 52235 | 152235 | ¾" | 94 | 60 | 57 | 49 | 15 | ¾" | 210 | 20 |
| 52236 | 152236 | 1" | 120 | 75 | 69 | 61,5 | 18 | 1" | 365 | 25 |
| 52237 | 152237 | 1 ¼" | 125 | 75 | 83 | 65,5 | 22,5 | 1 ¼" | 560 | 32 |
| 52238 | 152238 | 1 ½" | 147 | 94,5 | 96 | 78 | 23,5 | 1 ½" | 890 | 40 |
| 52239 | 152239 | 2" | 155 | 94,5 | 113,5 | 86 | 30 | 2" | 1280 | 50 |
| 52240 | 152240 | 2 ½" | 194 | 143 | 140 | 112,5 | 29 | 2 ½" | 1500 | 65 |

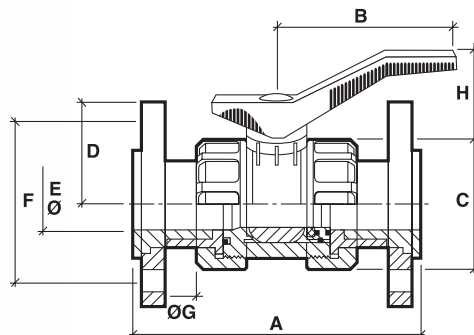
Male threaded socket



| Size | NBR Joints (Nitrile rubber) | FPM Joints (Viton) |
|--------|--------------------------------|-----------------------|
| | Blue handle button | Black handle button |
| 1/2" | 52261 | 152261 |
| 3/4" | 52262 | 152262 |
| 1" | 52263 | 152263 |
| 1 1/4" | 52264 | 152264 |
| 1 1/2" | 52265 | 152265 |
| 2" | 52266 | 152266 |
| 2 1/2" | 52267 | 152267 |
| 3" | 52268 | 152268 |

| Code NBR | Code FPM | Size | A | B | C | D | E | r. | Weight (g) | DN |
|----------|----------|--------|-------|-----|-------|-----|------|--------|------------|----|
| 52261 | 152261 | 1/2" | 101 | 60 | 48 | 45 | 11,5 | 1/2" | 140 | 15 |
| 52262 | 152262 | 3/4" | 125 | 60 | 57 | 49 | 16 | 3/4" | 225 | 20 |
| 52263 | 152263 | 1" | 151 | 75 | 68 | 60 | 16 | 1" | 390 | 25 |
| 52264 | 152264 | 1 1/4" | 167,5 | 75 | 83 | 65 | 21 | 1 1/4" | 615 | 32 |
| 52265 | 152265 | 1 1/2" | 196,5 | 94 | 96 | 79 | 24,5 | 1 1/2" | 975 | 40 |
| 52266 | 152266 | 2" | 218 | 94 | 113,5 | 85 | 31,5 | 2" | 1425 | 50 |
| 52267 | 152267 | 2 1/2" | 253 | 143 | 140 | 112 | 30 | 2 1/2" | 1545 | 65 |
| 52268 | 152268 | 3" | 295 | 184 | 167 | 130 | 33 | 3" | 2525 | 80 |

Flanges

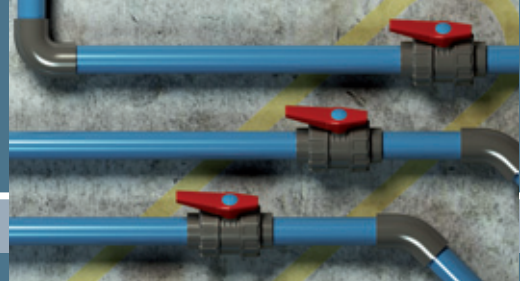


| Size | NBR Joints (Nitrile rubber) | FPM Joints (Viton) |
|------|--------------------------------|-----------------------|
| | Blue handle button | Black handle button |
| 50 | 52289 | 152289 |
| 63 | 52290 | 152290 |
| 75 | 52291 | 152291 |
| 90 | 52292 | 152292 |

| Code NBR | Code FPM | Size | A | B | C | D | E | F | G | H | N° Holes | Weight (g) | DN |
|----------|----------|------|-----|-------|-----|-----|----|-----|----|----|----------|------------|----|
| 52289 | 152289 | 50 | 198 | 128 | 96 | 75 | 40 | 110 | 19 | 65 | 4 | 1820 | 40 |
| 52290 | 152290 | 63 | 222 | 127 | 113 | 83 | 50 | 125 | 18 | 65 | 4 | 2190 | 50 |
| 52291 | 152291 | 75 | 263 | 145 | 140 | 94 | 62 | 144 | 17 | 81 | 4 | 2850 | 65 |
| 52292 | 152292 | 90 | 305 | 184,5 | 167 | 101 | 74 | 160 | 18 | 45 | 8 | 4515 | 80 |

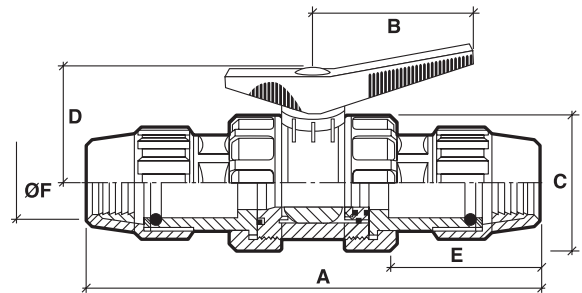
PVC ball valves

Two-way ball valves



PVC ball valves

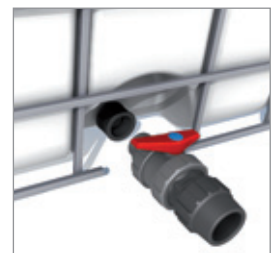
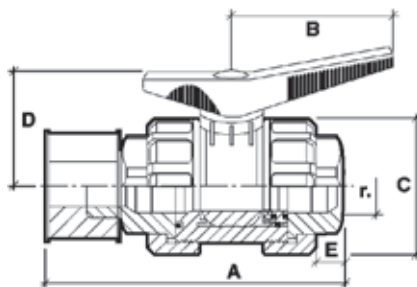
Polyethylene pipe connector



| Code NBR | Size | A | B | C | D | E | Ø F | Weight (g) | DN |
|----------|------|-----|------|-----|-------|-----|------|------------|----|
| 52281 | 20 | 162 | 60 | 48 | 45 | 55 | 21 | 169 | 15 |
| 52282 | 25 | 191 | 60 | 57 | 49 | 65 | 26 | 292 | 20 |
| 52283 | 32 | 236 | 75 | 69 | 61 | 82 | 32 | 506 | 25 |
| 52284 | 40 | 266 | 75 | 83 | 66 | 95 | 42 | 781 | 32 |
| 52285 | 50 | 310 | 94'5 | 96 | 79 | 113 | 51,5 | 1265 | 40 |
| 52286 | 63 | 340 | 94'5 | 114 | 86 | 120 | 64 | 1920 | 50 |
| 52287 | 75 | 430 | 143 | 140 | 112,5 | 151 | 76 | 2520 | 65 |
| 52288 | 90 | 490 | 184 | 167 | 126 | 168 | 91,5 | 4220 | 80 |

NBR Joints (Nitrile rubber).

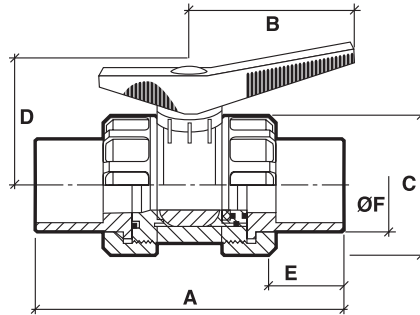
Female threaded ball valve, tank connector



| Code NBR | Size | A | B | C | D | E | r. | Weight (g) | DN |
|----------|--------|-----|------|-----|------|------|--------|------------|----|
| 52315 | 1 1/2" | 210 | 94,5 | 96 | 80,5 | 31 | 1 1/2" | - | 40 |
| 52316 | 2" | 216 | 94,5 | 113 | 87 | 38,5 | 2" | - | 50 |

NBR Joints (Nitrile rubber).

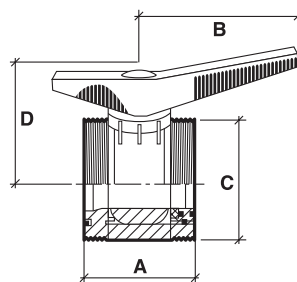
PE Thermofusion connector



| Size | NBR Joints (Nitrile rubber) | FPM Joints (Viton) |
|------|--------------------------------|-----------------------|
| | Blue handle button | Black handle button |
| 20 | 52308 | 152308 |
| 25 | 52309 | 152309 |
| 32 | 52310 | 152310 |
| 40 | 52311 | 152311 |
| 50 | 52312 | 152312 |
| 63 | 52313 | 152313 |

| Code NBR | Code FPM | Size | A | B | C | D | E | Ø F | Weight (g) | DN |
|----------|----------|------|-----|------|-----|----|----|-----|------------|----|
| 52308 | 152308 | 20 | 155 | 60 | 48 | 45 | 42 | 20 | - | 15 |
| 52309 | 152309 | 25 | 183 | 60 | 57 | 49 | 51 | 25 | - | 20 |
| 52310 | 152310 | 32 | 206 | 75 | 69 | 61 | 54 | 32 | - | 25 |
| 52311 | 152311 | 40 | 215 | 75 | 83 | 66 | 55 | 40 | - | 32 |
| 52312 | 152312 | 50 | 252 | 94,5 | 96 | 79 | 65 | 50 | - | 40 |
| 52313 | 152313 | 63 | 260 | 94,5 | 114 | 86 | 66 | 63 | - | 50 |

Central body

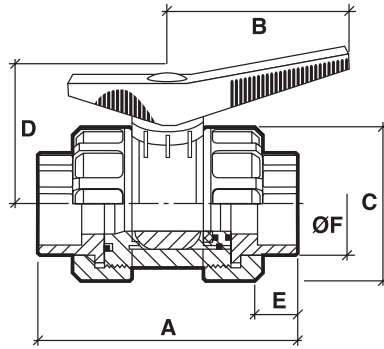


| Size | NBR Joints (Nitrile rubber) | FPM Joints (Viton) |
|-------------|--------------------------------|-----------------------|
| | Blue handle button | Black handle button |
| 20 - 1/2" | 52501 | 152501 |
| 25 - 3/4" | 52502 | 152502 |
| 32 - 1" | 52503 | 152503 |
| 40 - 1 1/4" | 52504 | 152504 |
| 50 - 1 1/2" | 52505 | 152505 |
| 63 - 2" | 52506 | 152506 |
| 75 - 2 1/2" | 52507 | 152507 |
| 90 - 3" | 52508 | 152508 |
| 110 - 4" | 52509 | 152509 |
| 125 P.T. | 52609 | - |

| Code NBR | Code FPM | Size | A | B | C | D | Weight (g) | DN |
|----------|----------|-------------|------|------|------|-------|------------|-----|
| 52501 | 152501 | 20 - 1/2" | 42 | 60 | 41 | 45 | - | 15 |
| 52502 | 152502 | 25 - 3/4" | 50,5 | 60 | 49 | 49 | - | 20 |
| 52503 | 152503 | 32 - 1" | 65,5 | 75,5 | 58,5 | 61 | - | 25 |
| 52504 | 152504 | 40 - 1 1/4" | 66 | 75,5 | 71 | 66 | - | 32 |
| 52505 | 152505 | 50 - 1 1/2" | 76,5 | 94,5 | 82,5 | 79 | - | 40 |
| 52506 | 152506 | 63 - 2" | 80 | 94,5 | 98,5 | 86 | - | 50 |
| 52507 | 152507 | 75 - 2 1/2" | 98,5 | 143 | 125 | 112,5 | - | 65 |
| 52508 | 152508 | 90 - 3" | 116 | 185 | 146 | 126 | - | 80 |
| 52509 | 152509 | 110 - 4" | 165 | 235 | 190 | 155 | - | 100 |
| 52609 | - | 125 P.T. | 170 | 235 | 200 | 161,5 | - | 113 |

POLYETHYLENE valve seat

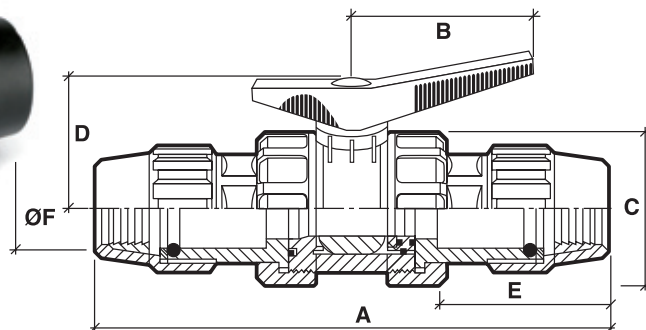
Solvent socket, specially for pools and agriculture



| Code NBR | Size | A | B | C | D | E | F | Weight (g) | DN |
|----------|------|-----|------|-----|------|------|----|------------|----|
| 52568 | 50 | 153 | 94,5 | 96 | 80,5 | 31 | 50 | 835 | 40 |
| 52567 | 63 | 171 | 94,5 | 113 | 87 | 38,5 | 63 | 1235 | 50 |

NBR Joints (Nitrile rubber).

POLYETHYLENE connector, specially for pools and agriculture



| Code NBR | Size | A | B | C | D | E | F | Weight (g) | DN |
|----------|------|-----|------|-----|----|-----|------|------------|----|
| 52569 | 50 | 310 | 94,5 | 96 | 79 | 113 | 51,5 | 1265 | 40 |
| 52570 | 63 | 340 | 94,5 | 114 | 86 | 120 | 64 | 1920 | 50 |

NBR Joints (Nitrile rubber).

Specifications and characteristics

STANDARDS:

Jimten ball valves, or the elements they are components of, fulfill the following standards among others:

Threaded:

ISO R7, UNI 338, DIN 2999, UNE 19009

PE pipe connector:

UNE 12201, ISO 3501, ISO 3503, ISO 3458, ISO 3459.

Solvent socket:

ISO 727, UNI 7422, DIN 8063, NF T54-028, KIWA 54, UNE EN 1452.

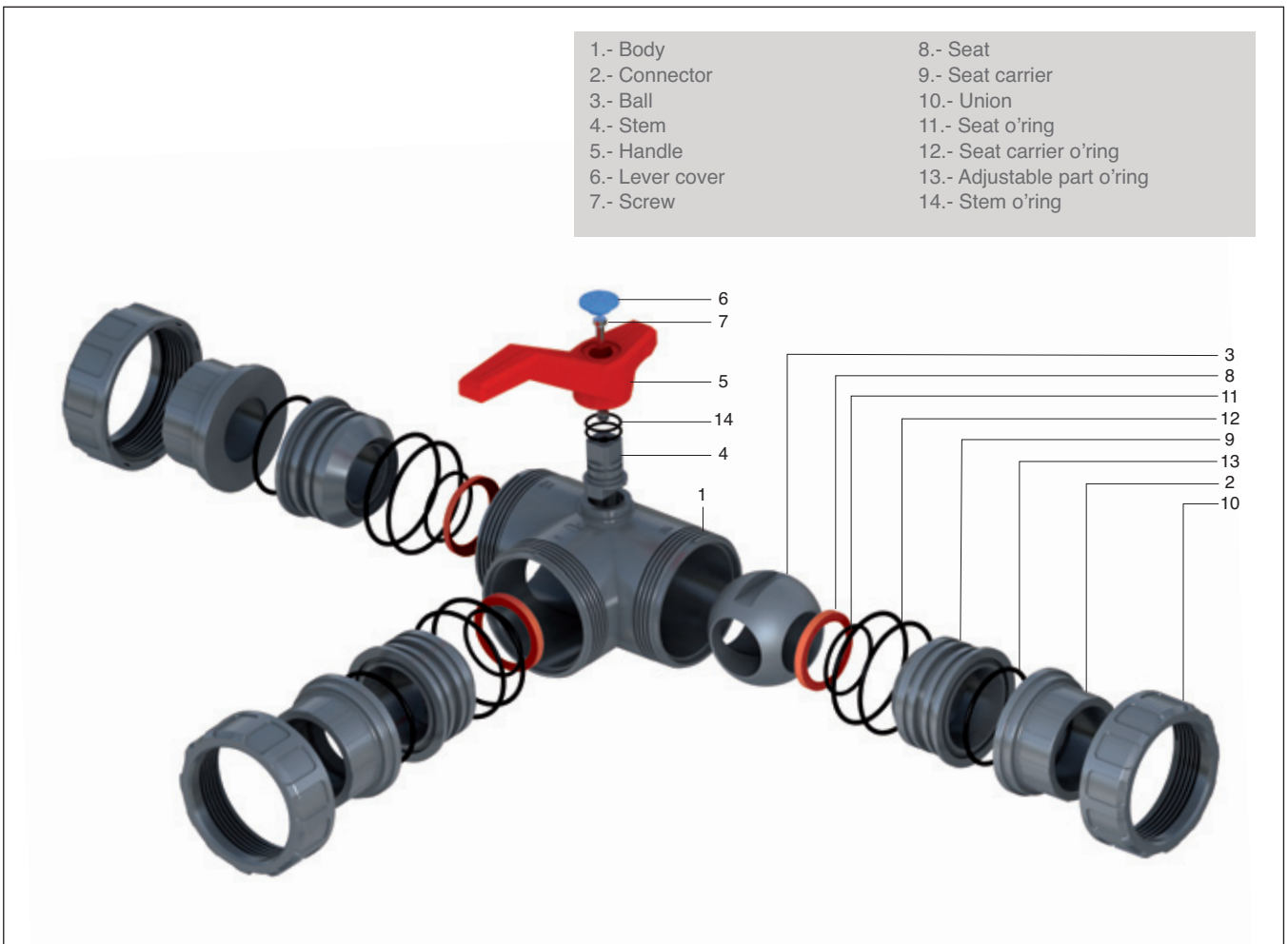
Flanges:

ISO 2084, UNI 7442, DIN 8063, UNE 19153

Materials

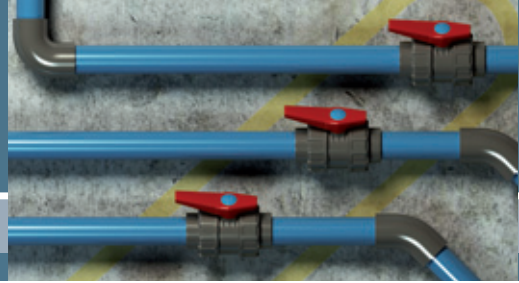
| | |
|---------------------------|------------|
| Body | PVC |
| Solvent socket connector | PVC |
| Threaded socket connector | PVC |
| PE pipe connector | PPFV |
| Flange connector | PVC |
| Ball | PVC |
| Seat ball | PTFE |
| Handle | PPFV |
| Lever cover | PE |
| O'ring | NBR FPM |
| Screw | Fe/Zn |

Components



PVC ball valves

Three-way ball valves



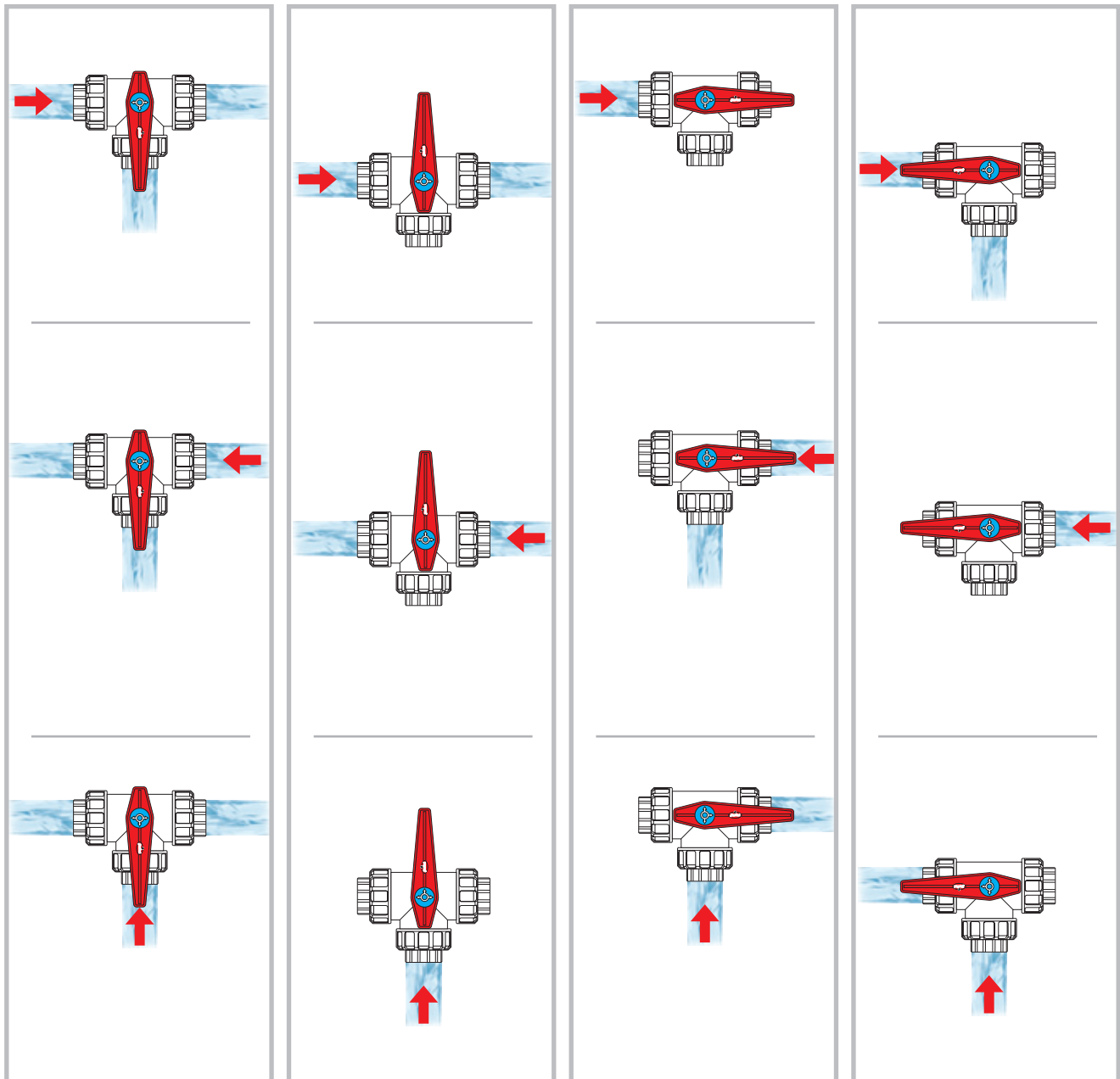
Three-way ball valves - Flow direction

3-way 

2-way 

2-way 

2-way 



NOTE: The short side of the handle indicates which way is closed.

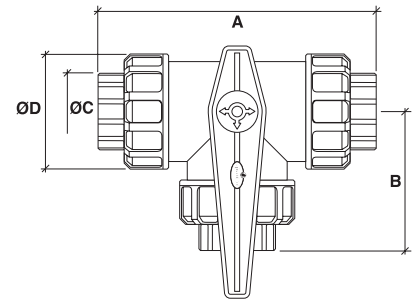
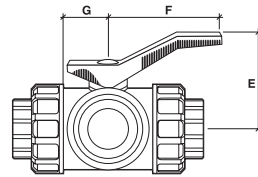
Three-way ball valves

Solvent socket



NBR Joints
(Nitrile rubber)
Blue handle
button

FPM Joints
(Viton)
Black handle
button



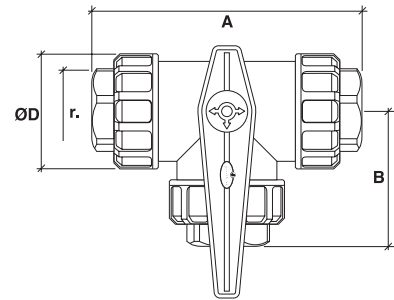
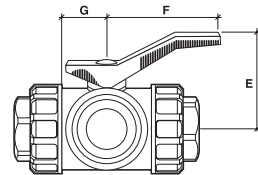
| Code NBR | Code FPM | Size | A | B | C | D | E | F | G | Weight (g) | DN |
|----------|----------|------|-----|-------|----|-------|-------|-----|----|------------|----|
| 56001 | 156001 | 40 | 186 | 93 | 40 | 84 | 101 | 127 | 44 | 1055 | 32 |
| 56002 | 156002 | 50 | 223 | 111,5 | 50 | 96 | 126 | 143 | 50 | 1645 | 40 |
| 56003 | 156003 | 63 | 261 | 130,5 | 63 | 113,5 | 133,2 | 143 | 50 | 2480 | 50 |

Female threaded socket



NBR Joints
(Nitrile rubber)
Blue handle
button

FPM Joints
(Viton)
Black handle
button



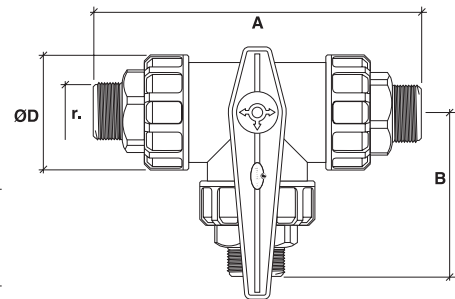
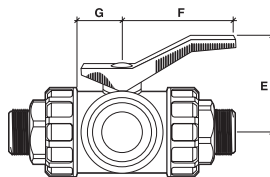
| Code NBR | Code FPM | Size | A | B | D | E | F | G | Weight (g) | DN |
|----------|----------|------|-----|-----|-------|-------|-----|----|------------|----|
| 56004 | 156004 | 1 ¼" | 182 | 91 | 84 | 101 | 127 | 44 | 1085 | 32 |
| 56005 | 156005 | 1 ½" | 220 | 110 | 96 | 126 | 143 | 50 | 1720 | 40 |
| 56006 | 156006 | 2" | 242 | 121 | 113,5 | 133,2 | 143 | 50 | 2580 | 50 |

Male threaded socket



NBR Joints
(Nitrile rubber)
Blue handle
button

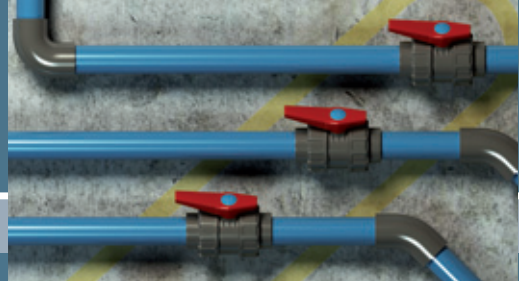
FPM Joints
(Viton)
Black handle
button



| Code NBR | Code FPM | Size | A | B | D | E | F | G | Weight (g) | DN |
|----------|----------|------|-------|-------|-------|-------|-----|----|------------|----|
| 56007 | 156007 | 1 ¼" | 223 | 111,5 | 84 | 101 | 127 | 44 | 1180 | 32 |
| 56008 | 156008 | 1 ½" | 267,5 | 133,7 | 96 | 126 | 143 | 50 | 1870 | 40 |
| 56009 | 156009 | 2" | 305 | 152,5 | 113,5 | 133,4 | 143 | 50 | 2830 | 50 |

PVC ball valves

Three-way PVC ball valves



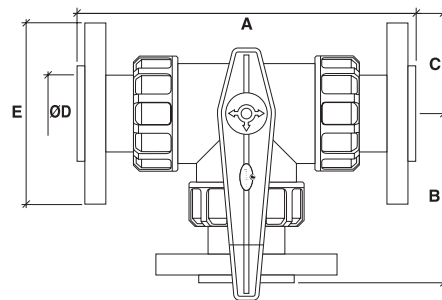
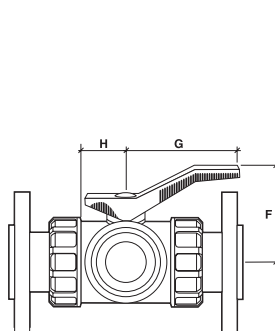
Three-way ball valves

Flanges



NBR Joints
(Nitrile rubber)
Blue handle
button

FPM Joints
(Viton)
Black handle
button

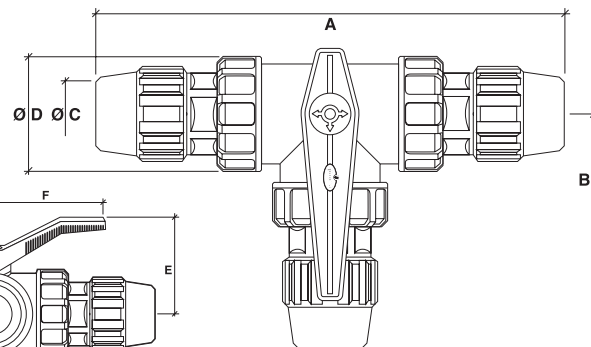
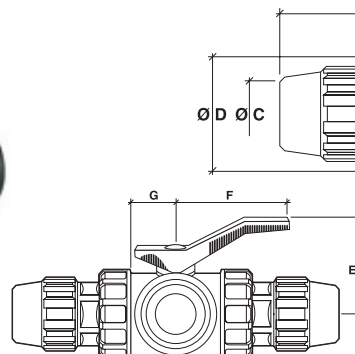


| Code NBR | Code FPM | Size | N° Holes | A | B | C | D | E | F | G | H | Weight (g) | DN |
|----------|----------|------|----------|-----|-----|------|-------|-----|-------|-----|----|------------|----|
| 56011 | 156011 | 50 | 4 | 268 | 134 | 75 | 96 | 110 | 126 | 143 | 50 | 2170 | 40 |
| 56012 | 156012 | 63 | 4 | 310 | 155 | 82,5 | 113,5 | 125 | 133,2 | 143 | 50 | 3835 | 50 |

Polyethylene pipe connector



NBR Joints
(Nitrile rubber)
Blue handle
button



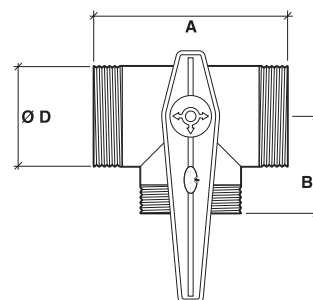
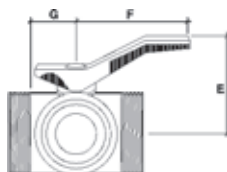
| Code NBR | Size | A | B | C | D | E | F | G | Weight (g) | DN |
|----------|------|-----|-------|----|-------|-------|-----|----|------------|----|
| 56013 | 40 | 325 | 162,5 | 40 | 84 | 101 | 127 | 44 | 1455 | 32 |
| 56014 | 50 | 380 | 190 | 50 | 96 | 126 | 143 | 50 | 2780 | 40 |
| 56015 | 63 | 430 | 215 | 63 | 113,5 | 133,2 | 143 | 50 | 4115 | 50 |

Central body



NBR Joints
(Nitrile rubber)
Blue handle
button

FPM Joints
(Viton)
Black handle
button



| Code NBR | Code FPM | Size | A | B | C | D | E | F | Weight (g) | DN |
|----------|----------|------|-----|----|----|----|-----|-----|------------|----|
| 56016 | 156016 | 40 | 125 | 63 | 62 | 71 | 101 | 127 | - | 32 |
| 56017 | 156017 | 50 | 145 | 75 | 71 | 83 | 126 | 143 | - | 40 |
| 56018 | 156018 | 63 | 167 | 89 | 81 | 98 | 133 | 143 | - | 50 |