



## ES55

Stainless Steel General Purpose Zero Differential Normally Closed Solenoid Valve

### Features:

- Size 3/8" to 2" BSP
- Function Normally Closed (power to open)
- Valve Operation Coupled Diaphragm
- Body 304 Stainless Steel
- Seat NBR
- Pressure Range 0 to 5 BAR
- Media Non aggressive media



### Description:

A high flow normally closed (power to open) valve with a 304 Stainless Steel forged body and stainless steel operator. Suitable for low head and zero head applications with a coupled diaphragm and standard with NBR seat and seals. Liquids to 20 centistoke viscosity. Standard coil is weatherproof to IP65 and has LED illuminated plug. Typical Applications include tank drain, vacuum and low pressure general industry applications. Threads conform to ISO 7.1 Sealing Threads.

Model	Port Size (BSP)	Orifice ømm	CV	Pressure Air	Pressure Liquid	Media Temperature	Repair Kit	Coil Specifications
ES55-3-16-*N	3/8	16	2.4	0 to 5 Bar	0 to 5 Bar	-10°C to 80°C	RK-ES55-5-N	SC-E16 26 Volt Amps 18 Watts Class F insulation
ES55-4-16-*N	1/2	16	4.5	0 to 5 Bar	0 to 5 Bar	-10°C to 80°C	RK-ES55-5-N	
ES55-5-20-*N	3/4	20	9.3	0 to 5 Bar	0 to 5 Bar	-10°C to 80°C	RK-ES55-5-N	
ES55-6-25-*N	1	25	13.2	0 to 5 Bar	0 to 5 Bar	-10°C to 80°C	RK-ES55-6-N	
ES55-7-35-*N	1 ¼	35	26	0 to 5 Bar	0 to 5 Bar	-10°C to 80°C	RK-ES55-7-N	SC-E20 28 Volt Amps 30 Watts Class F Insulation
ES55-8-40-*N	1 ½	40	26	0 to 5 Bar	0 to 5 Bar	-10°C to 80°C	RK-ES55-8-N	
ES55-9-50-*N	2	50	48	0 to 5 Bar	0 to 5 Bar	-10°C to 80°C	RK-ES55-9-N	

\*Voltages available; 12vDC, 24vDC, 24vAC, 110vAC, 240vAC, 415vAC

For Installation and Maintenance instructions please click [here](#) or find in our *References* section under *Valve Installation and Maintenance* for Solenoid Valves.



**PROCESS SYSTEMS** PTY LTD

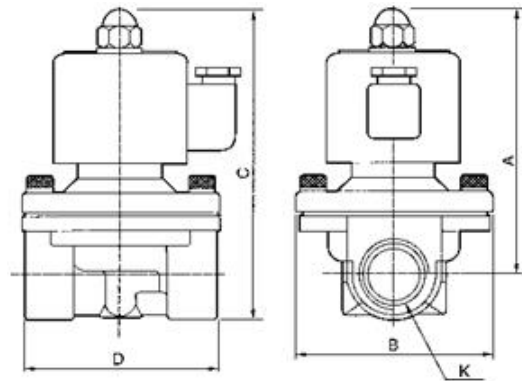
ABN 15 010 932 386

Phone 1300 887 880  
Email: [sales@processsystems.com.au](mailto:sales@processsystems.com.au)  
Website: [www.valvesonline.com.au](http://www.valvesonline.com.au)

# Stainless Steel General Purpose Zero Differential Normally Closed Solenoid Valve

ES55

## Dimensions:



Model	K (BSP)	A	B	C	D	Weight Kg
ES55-3-16-*N	3/8"	93	56	106	69	0.8
ES55-4-16-*N	1/2"	93	56	106	69	0.8
ES55-5-20-*N	3/4"	100	55	117	73	0.9
ES55-6-25-*N	1"	104	78	125	99	1.35
ES55-7-35-*N	1 1/4"	141	93	172	124	2.5
ES55-8-40-*N	1 1/2"	141	93	172	124	2.5
ES55-9-50-*N	2"	157	124	195	172	4.5

All dimensions in mm unless otherwise shown.



**PROCESS SYSTEMS PTY LTD**

ABN 15 010 932 386

Phone 1300 887 880

Email: [sales@processsystems.com.au](mailto:sales@processsystems.com.au)

Website: [www.valvesonline.com.au](http://www.valvesonline.com.au)

### WARNING

These products are intended for use in industrial applications only. Do not use these products where pressures and temperatures can exceed those listed under 'Technical Data' and in our individual 'Series' data sheets. Before using these products with fluids other than those specified, for non-industrial applications, life-support systems, or other applications not within published specifications, consult Process Systems Pty Ltd. Through misuse, age, or malfunction, components used in industrial valve applications can fail in various modes. The system designer is warned to consider the failure modes of all component parts used in industrial valve applications and to provide adequate safeguards to prevent personal injury or damage to equipment in the event of such failure. System designers must provide a warning to the user in the system instructional manual if protection against a failure mode cannot be adequately provided. System designers and end users are cautioned to review specific warnings or specifications found in instruction sheets or labels packed or attached and shipped with the products. Our policy is one of continuous research and development. We therefore reserve the right to amend without notice the specifications given in this document or our individual 'Series' data sheets.

### WARRANTY INFORMATION

All valve series and other products manufactured or distributed by Process Systems Pty. Ltd. are warranted by Process Systems to be free of defects in material and workmanship for a period of 1 year from the date of purchase or as the manufacturer warrants. Process Systems obligation under this warranty is limited to repair or replacement of the defective product or refund of the purchase price paid solely at the discretion of Process Systems and provided such defective product is returned to Process Systems freight prepaid and upon examination by Process Systems such product is found defective. This warranty shall be void in the event that the product has been subject to misuse, misapplication, improper maintenance, modification or tampering. This warranty is expressed in lieu of all other warranties, expressed or implied from Process Systems Pty. Ltd. representatives or employees. Process Systems reserves the right to change Valve and Brochure specifications without notice.