

# Watermark Series

## General Description

An economical general purpose solenoid valve with encapsulated coil and LED connector plug. The soft close function helps reduce water hammer and is suitable for cold or hot water.

Typical applications include:

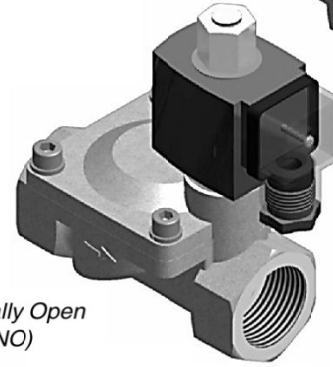
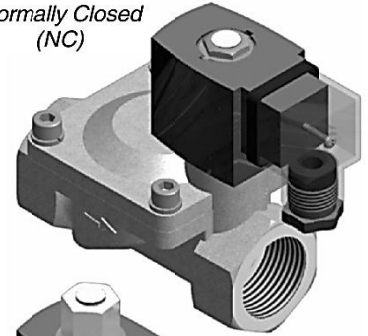
Control of portable/domestic water supply. Also suitable for industrial applications.

## Technical Details

Fluid Temperature: -10°C to 80°C  
Materials in Contact: Body: Stainless Steel 304  
Shading Ring: Copper  
Operator: Stainless Steel  
Seat: EPDM  
Backing Washer: POM/SS304  
Voltage Variation: +10% - 10% AC/DC  
Duty Rate: 100% (class F insulation)  
Power: See Page 2  
Connector: Square Plug with LED power indicator  
Protection: IP65  
Ambient Temp: -10°C to +45°C



Normally Closed (NC)



Normally Open (NO)



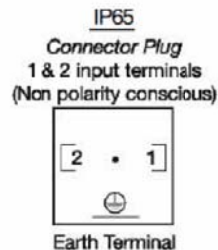
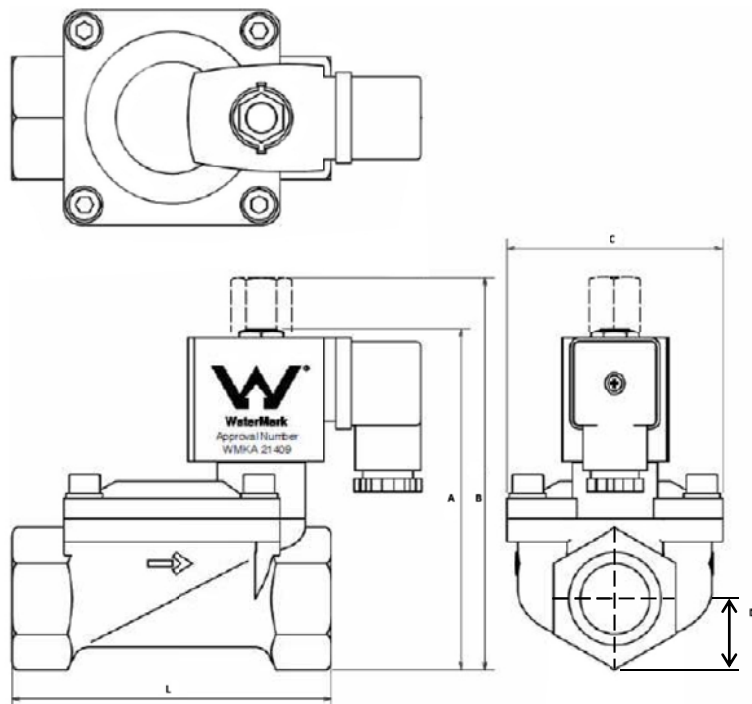
### Watermark Approval Number – WMKA21409

Watermark Series	Function	Port Size – RP	Orifice Size in mm	Voltage
S35 (Normally Closed)	N.C.	4 – 1/2"	11.4	1 – 240V/50Hz
		5 – 3/4"	15.0	2 – 110V/50Hz
		6 – 1"	25.4	5 – 24V/50Hz
		7 – 1 1/4"	34.9	7 – 12V DC
		8 – 1 1/2"	38.1	8 – 24V DC
		9 – 2"	50.8	
S36 (Normally Open)	N.O.	4 – 1/2"	11.4	
		5 – 3/4"	15.0	
		6 – 1"	25.4	
		7 – 1 1/4"	34.9	
		8 – 1 1/2"	38.1	
		9 – 2"	50.8	

Model Watermark	Function	Port Size Rp	Orifice (mm)	CV	Media Pressure		Media Temperature	Weight (Kg)
					AC*	DC*		
<b>SERVO ASSISTED DIAPHRAGM VALVE – 304 ST.ST.BODY – NORMALLY CLOSED (N.C)</b>								
WS35-4-14-★E	N.C.	1/2	14	5	0.25 - 16	0.25 - 16	80°C	0.6
WS35-5-20-★E		3/4	20	10	0.25 - 16	0.25 - 16		0.8
WS35-6-25-★E		1	25	14	0.25 - 16	0.25 - 16		1.1
WS35-7-40-★E		1 1/4	40	28	0.25 - 16	0.25 - 16		2.6
WS35-8-40-★E		1 1/2	40	34	0.25 - 16	0.25 - 16		2.6
WS35-9-50-★E		2	50	50	0.25 - 16	0.25 - 16		3.75
<b>SERVO ASSISTED DIAPHRAGM VALVE – 304 ST.ST.BODY – NORMALLY OPEN (N.O)</b>								
WS36-4-14-★E	N.O.	1/2	14	5	0.25 - 16	0.25 - 16	-10°C	0.6
WS36-5-20-★E		3/4	20	13	0.25 - 16	0.25 - 16		0.8
WS36-6-25-★E		1	25	18	0.25 - 16	0.25 - 16		1.1
WS36-7-40-★E		1 1/4	40	24	0.25 - 16	0.25 - 16		2.6
WS36-8-40-★E		1 1/2	40	35	0.25 - 16	0.25 - 16		2.6
WS36-9-50-★E	N.O.	2	50	45	0.25 - 16	0.25 - 16	80°C	3.75

\* Voltage code: 1 – 240vAC, 2 – 110vAC, 5 – 24vAC, 7 – 12vDC, 8 – 24vDC, 11 – 415vAC

Dimensions



Normally Closed

Model	BSP	L	A	C	D
S35-4-14	1/2	68	95	42	14
S35-5-20	3/4	80	100	50	16
S35-6-25	1	96	112	60	20
S35-7-40	1 1/4	132	135	92	28
S35-8-40	1 1/2	132	135	92	28
S35-9-50	2	160	150	110	34

Coil Specifications

S35 Normally Closed 1/4" - 2"  
S36 Normally Open 1/4" - 1"

Voltage	Current		Voltage Code *
	Inrush	Holding	
12v DC	1.38A	1.03A	7
24v DC	0.6A	0.47A	8
24v AC	0.79A	0.761A	5
110v AC	0.112A	0.109A	2
240v AC	0.066A	0.062A	1

Coil Part Number: SC-N12-\*

Normally Open

Model	BSP	L	B	C	D
S36-4-14	1/2	68	95	42	14
S36-5-20	3/4	80	100	50	16
S36-6-25	1	96	112	60	20
S36-7-40	1 1/4	132	140	92	28
S36-8-40	1 1/2	132	140	92	28
S36-9-50	2	160	155	110	34

S36 Normally Open 1 1/4" - 2"

Voltage	Current		Voltage Code *
	Inrush	Holdin	
12v DC	1.84A	1.3A	7
24v DC	0.72A	0.52A	8
24v AC	0.803A	0.772A	5
110v AC	0.217A	0.204A	2
240v AC	0.106A	0.099A	1

Coil Part Number: SC-N14-\*

1300 887 880

sales@processsystems.com.au

www.valvesonline.com.au



THIS DATA SHEET CAN BE DOWNLOADED FROM OUR WEBSITE

ABN 15 010 932 386



WARNING

These products are intended for use in industrial applications only. Do not use these products where pressures and temperatures can exceed those listed under 'Technical Data' and in our individual 'Series' data sheets. Before using these products with fluids other than those specified, for non-industrial applications, life-support systems, or other applications not within published specifications, consult Process Systems Pty Ltd. Through misuse, age, or malfunction, components used in industrial valve applications can fail in various modes. The system designer is warned to consider the failure modes of all component parts used in industrial valve applications and to provide adequate safeguards to prevent personal injury or damage to equipment in the event of such failure. System designers must provide a warning to the user in the system instructional manual if protection against a failure mode cannot be adequately provided. System designers and end users are cautioned to review specific warnings or specifications found in instruction sheets or labels packed or attached and shipped with the products. Our policy is one of continuous research and development. We therefore reserve the right to amend without notice the specifications given in this document or our individual 'Series' data sheets.

WARRANTY INFORMATION

Series WS35 WS36 and all other products manufactured or distributed by Process Systems Pty. Ltd. are warranted by Process Systems to be free of defects in material and workmanship for a period of 1 year from the date of purchase or as the manufacturer warrants. Process Systems obligation under this warranty is limited to repair or replacement of the defective product or refund of the purchase price paid solely at the discretion of Process Systems and provided such defective product is returned to Process Systems freight prepaid and upon examination by Process Systems such product is found defective. This warranty shall be void in the event that the product has been subject to misuse, misapplication, improper maintenance, modification or tampering. This warranty is expressed in lieu of all other warranties, expressed or implied from Process Systems Pty. Ltd. representatives or employees. Process Systems reserves the right to change Valve and Brochure specifications without notice.