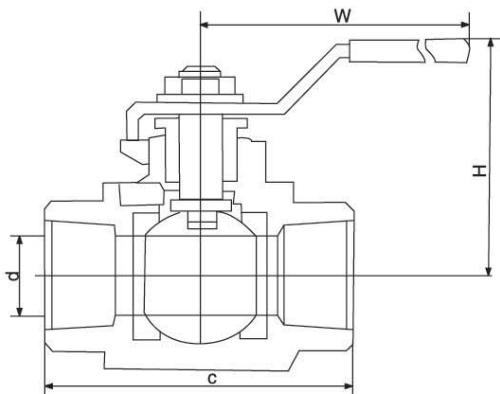


MAXIFLO[®] STAINLESS STEEL BALL VALVE

SPECIFICATIONS

Pressure: 56–112 kgf/cm²
 Working Pressure: 1000–2000 PSI WOG
 Temperature Range: –60 to 450 °F
 End Type: Threaded
 Full Bore
 Locking device
 Material: Pressure: 60 kgf/cm² ——— 120 kgf/cm²
 Working Pressure: 1000 PSI WOG ——— 2000 PSI WOG



MAIN PARTS AND MATERIALS

NO	PART NAME	MATERIAL	QTY
1	SEAT	PTFE	2
2	BALL	SS316	1
3	JOINT GASKET	PTFE	1
4	CAP	SS316	1
5	BODY	CF8M	1
6	STEM	SS316	1
7	THRUST WASHER	PTFE	1
8	STEM PACKING	PTFE	1
9	GLAND NUT	SS304	1
10	STEM WASHER	SS304	1
11	STEM NUT	SS304	1
12	HANDLE COVER	PLASTIC	1
13	HANDLE	SS304	1

UNIT:mm

SIZE	1/4"	3/8"	1/2"	3/4"	1"	1-1/4"	1-1/2"	2"	2-1/2"	3"
d	11.6	12.7	15	20	25.4	32	38	50.8	65	76
L	55	55	63.5	75	88	103	110	124	167	192
H	48	48	50	57	69	73	83	92	136	149
W	103	103	103	125	145	145	190	190	250	250

DIN 2999 NPT.BSP Thread