

The following table provides a guide as to what filter you can use in your housing.

	Dirt, Rust, Sediment (Mains Water)	Taste, Odour Removal (Mains Water)	Dirt, Rust, Sediment (Rainwater)	Taste, Odour Removal (Rainwater)
Water Filter Housing	Cartridge	Cartridge	Cartridge	Cartridge
<b>MP100</b>	PX05MP1	CB10MP1	PL05MP1	DP10MP1
<b>MP200</b>	PX05MP1	CB10MP1	PL05MP1	DP10MP1
<b>MP300</b>	PX05MP2	CB10MP2	PL05MP2	DP10MP2
<b>MP400</b>	PX05MP2	CB10MP2	PL05MP2	DP10MP2

### Cartridge Installation/Changeout

To change the filter cartridge please adhere to the following procedure:

- 1 Turn water supply off and relieve pressure by opening a downstream tap or pressing the red pressure relief button on the housing (if fitted).
- 2 Unscrew the filter bowl. If difficult to undo, a wrench may be purchased to make it easier. Remove old cartridge.
- 3 Clean bowl with soap and warm water and rinse thoroughly. Check O-Rings for damage and if there is any, replace.
- 4 Check O-Ring lubrication and if necessary apply a light coating of food grade silicone lubricant or similar.
- 5 Remove all packaging from new filter cartridge and insert into housing bowl making sure that it is properly seated over spigot in the base of bowl. Where present, ensure that the arrow on the filter cartridge is pointing towards the head of the housing. Remember to record the model no. of the cartridge you use.
- 6 Hold bowl upright while screwing onto head. Make certain that the spigot in the housing head is located centrally to the cartridge to make a good seal. Hand tighten bowl until firm. DO NOT OVER TIGHTEN.
- 7 Open downstream tap to allow air to be released and gently open water supply allowing all air to be purged.
- 8 Allow water to run for 2 minutes to flush the system.
- 9 Close down stream tap and check for leaks. Flush system for 10 minutes after any period of non-use more than 2 days. For a period of non-use of 2 weeks or more, it may be necessary to replace the cartridge.

**Important:** Sales of products are subject to our Terms & Conditions which are available upon request. All specifications, prices and photos are a guide only and are subject to change without notice. Please ring to confirm details. Do not use products with microbiological unsafe water without adequate disinfection. Under normal circumstances a pressure limiting valve is not required. However, if incoming water pressure exceeds 520 kPa, a pressure limiting valve must be fitted prior to inlet. Maximum flow depends on cartridges, vessel, pressure, impurities etc.

### WARRANTY

Any claim under this warranty must be made within 10 years of the date of purchase of the product. This product is warranted to be free of defect of material and workmanship for 10 years from date of purchase. Warranty is 10 years parts and 1 year parts and labour, excludes consumable. To make a claim under the warranty, take the product and proof of purchase to place where you purchased the product, and they will lodge a Warranty Request with Puretec.

Puretec will pay your reasonable, direct expenses of claiming under this warranty. You may submit details and proof of your expense claim to place of purchase for consideration.

The warranty only applies if the product was used and/or installed in accordance with the user guide and/or installation instructions. This warranty is given in lieu of all other express or implied warranties and manufacturer shall in no circumstance be held liable for damages consequential or otherwise or delays caused or faulty manufacturing except as excluded by law.

Applicable to all above, is that the warranties need to be approved by Puretec to ensure product was not incorrectly used, installed or claimed. False and incorrect claims will be pursued at Puretec's discretion, including chargeable inspection and labour costs incurred.

### Warranty/Australia

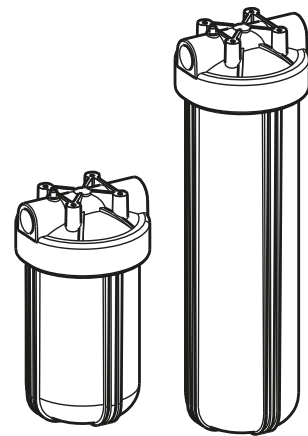
This warranty is given by Puretec Pty Ltd, ABN 44 164 806 688, 37-43 Brodie Road, Lonsdale SA 5160, telephone no. 1300 140 140 and email at sales@puretec.com.au.

This warranty is provided in addition to other rights and remedies you have under law: Our goods come with guarantees which cannot be excluded under the Australian Consumer Law. You are entitled to replacement or refund for a major failure and to compensation for other reasonably foreseeable loss or damage. You are also entitled to have the goods repaired or replaced if the goods fail to be of acceptable quality and the failure does not amount to a major failure.

### Warranty/New Zealand

This warranty is given by Puretec Ltd, Reg. No 4464398, PO Box 875 Cambridge 3450 NZ, telephone no. 0800 130 140 and email at sales@puretec.co.nz.

This warranty is provided in addition to other rights and remedies you have under law: Our goods come with guarantees which cannot be excluded under the Consumer Guarantees Act. You are entitled to replacement or refund for a major failure and to compensation for other reasonably foreseeable loss or damage. You are also entitled to have the goods repaired or replaced if the goods fail to be of acceptable quality and the failure does not amount to a major failure.



# User Guide

## MP Series

### MaxiPlus™ Heavy Duty Filter Housing

For correct operation & installation, it is essential to observe these instructions.

## Puretec Customer Service

Thank you for purchasing a Puretec water filter housing. Your housing is a proven performer manufactured from only quality materials and will give years of trouble free service if maintained properly.

This housing can be used in a wide variety of different applications. Choose a cartridge that best suits your situation remembering Puretec stocks a wide range of cartridges. If you have trouble defining what you need contact your local stockist or call our Puretec Customer Service Helpline.

Regular maintenance of your Puretec water filter includes regular replacement of disposable filter cartridges. Replace cartridges when water flow is reduced, taste or odour returns to water (carbon cartridges only) or at six monthly intervals which ever comes first.

## Applications

Puretec filter housings are designed to suit a wide range of cartridges for various applications with a sediment removal filter some features include:

- Supply clean water to kitchen, bathroom and laundry.
- Extends life of appliance by removal of silt, rust etc for protection of hot water systems, washing machines, dishwashers, solenoid garden valves, tapwashers, ceramic disc mixers, thermostatic mixing valves.
- Minimises buildup in pipework and reduces repair costs.

With a taste and odour removal filter you will:

- Provide healthy, clean fresh water for all household drinking, cooking and showering needs.
- Have better tasting beverages, tea, coffee, drinking water and ice making.
- Safe water to drink free from harmful chemicals - also safe for baby formulas.
- Chemicals absorbed by the skin can be removed for showering.

## Cartridge Replacement

To maintain the high quality of the purified water the cartridges need changing every 6 - 12 months, dependent on water quality and usage. You can obtain replacement cartridges from your local Puretec stockist. To maintain performance, Australian standards and warranty, use genuine Puretec replacements only.

## Positioning Your Filter

Choose a location where the water spillage will not cause damage. If cupboard is chosen care needs to be taken in case of water spillage or flooding. Make sure mounting position is solid so that filter stays in position when changing filters. An isolation valve may be installed immediately prior to the filter to isolate the filter for changing the cartridge.

## Installation

Where line pressure exceeds recommended max pressure on housing label a pressure limiting valve must be installed. Protect the housing from water hammer.

Use on water only up to 52°C. For installation over 52°C please enquire as to a suitable housing. Protect the housing from freezing.

Do not install in direct sunlight and clear housings must not be installed externally.

Use PTFE thread seal tape on all connections. Use of pipe sealants will void warranty. Do not overtighten. Too much tape or over tightening may cause head to split.

For point of entry installations an approved dual check backflow prevention device must be fitted in accord with national plumbing product codes.

Do not use with water that is microbiologically unsafe or with water of unknown quality without adequate disinfection.

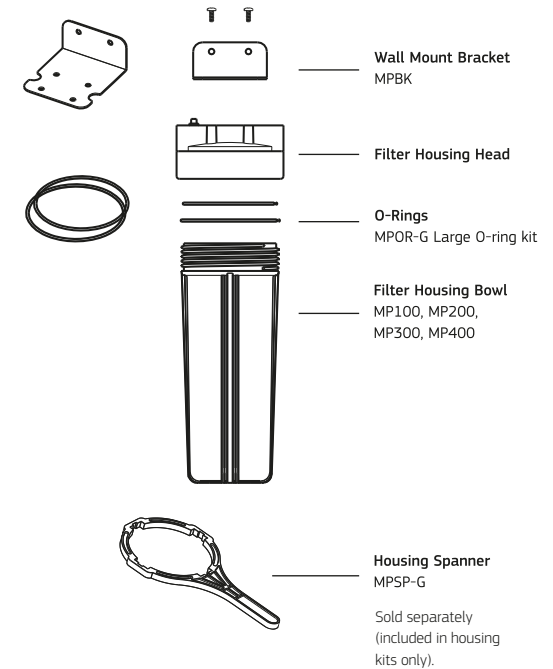
Installation of this housing onto mains water supplies should be by a licensed plumber.

**Installation Note:** A water filter system/tap, like any product, has a limited life and may eventually fail. Also sometimes failure happens early due to unforeseen circumstances. To avoid possible property damage, this product should be regularly examined for leakage and/or deterioration and replaced when necessary. A drain pan, plumbed to an appropriate drain or outfitted with a leak detector, should be used in those applications where any leakage could cause property damage, and/or the water supply should be turned off if no one is home/present.

## Installation Procedure

- 1 Isolate water supply and relieve pressure by opening a downstream tap.
- 2 Cut pipe to suit length of required valve and housing installation.
- 3 Use approved brass, galv/poly plumbing fittings to suit existing pipework. The female threads on the housing will receive tapered male threads. Thread into housing head carefully as too much tape or overtightening may cause it to split.
- 4 If using sweated fittings, allow enough time to cool before connecting to the housing.
- 5 Securely fix wall mount bracket and pipework with suitable clips. Allow 50mm clearance underbowl for filter changes.
- 6 Flush debris from pipework.
- 7 Install Filter Cartridge as per cartridge replacement instructions.

**Figure 1**



## TYPICAL INSTALLATION

