

Double Union PVC Ball Valve

1", 1½", 2", 2½" & 3"



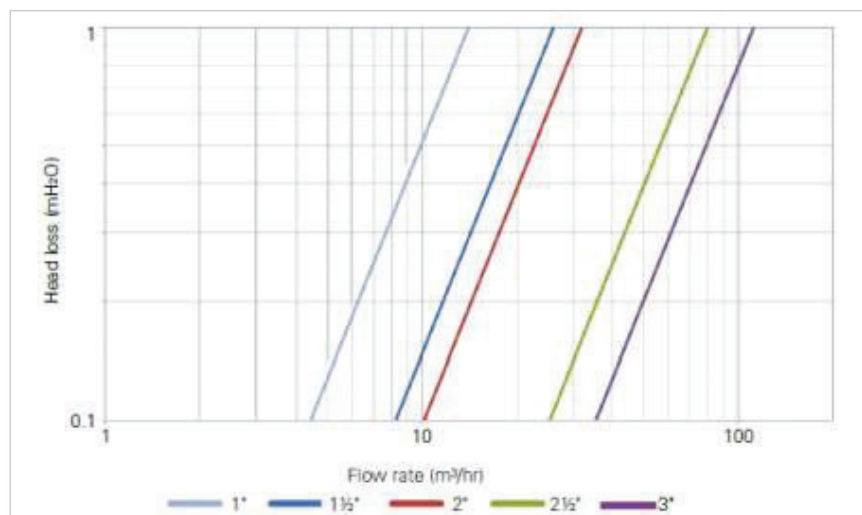
Features

- Quarter Turn Hand operated ON/Off Ball Valve.
- End connections : Threaded/Solvent Socket.
- Operating Pressure: 16 Bar for 1", 1½" and 2" model while for the 3" model it is PN 10
- True union design for easier installation or repair, without expanding the pipe system.
- User friendly design allows smooth operation of handle.
- Union nut load does not get transferred on to ball.
- Free from vibration or chattering during opening and closing of valve.
- Inbuild Spanner wrench on Handle for valve disassemble/assemble.
- TPE Seals effect ensures leakage free and low fixed torque.
- Chemical/Corrosion resistant, Color UV stabilized.

Material Specification

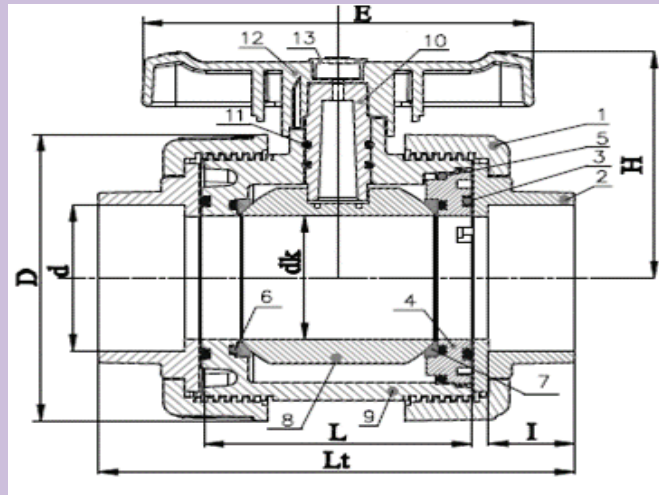
PART NO	PART NAME	MATERIAL	QTY.
1	Ring	UPVC	2
2	Socket	UPVC	2
3	Bush Small O-Ring	HNBR	2
4	Bush	UPVC	1
5	Bush Big O-Ring	HNBR	1
6	*Seal Washer	HNBR	2
7	Seal	EPDM/TPE	2
8	Ball	UPVC	1
9	Body	UPVC	1
10	Shaft	UPVC	1
11	Shaft O-Ring	HNBR	**2
12	Handle	ABS	1
13	Handle Logo	ABS	1

* Only in 3" Ball valve, ** one in 2" Model.



Double Union PVC Ball Valve

1", 1½", 2", 2½" & 3"



Dimensions (mm)

PVC Ball Valve (Inlet - Threaded Female : Outlet - Threaded Female)

Nom Size	BSP Thd./in	NPT Thd./in	dk	D	I	L	Lt	E	H
25mm (1")	11	11.5	24	69	20.2	55.5	112.6	71	68.5
40mm (1½")	11	11.5	37	94.4	32	73.25	151	121	90
50mm (2")	11	11.5	49.5	116	35.4	84.2	177.4	150	98
65mm (2½")	11	8	59	131.6	45.5	100	214	162	107.5
80mm (3")	11	8	76	178.8	44	138.1	243	200.4	140

PVC Ball Valve ((Inlet - Solvent Cement Joint Female : Outlet - Solvent Cement Joint Female)

Nom Size	ASTM d	BS d	DIN d	ISO d	dk	D	I	L	Lt	E	H
25mm (1")	33.4	34	32	32	24.5	69	20.2	55.5	110	71	66.5
40mm (1½")	48.26	48	50	50	39.5	94.4	32	73.25	149.6	121	88.3
50mm (2")	60.33	60	63	63	49.5	116	35.4	84.2	177.4	150	97
65mm (2½")	73.03	75	75	75	59	131.6	45.5	100	212.1	162	107.5
80mm (3")	88.9	89	90	90	76	178.8	42.8	138.1	241.1	200.4	140

NOTE: All Sizes & Type of ball valves also available in Polypropylene (PP) with Pressure Rating (PN-6)



E-mail: contactus@automatworld.com
 Website: www.automatworld.com

Creating a Green World