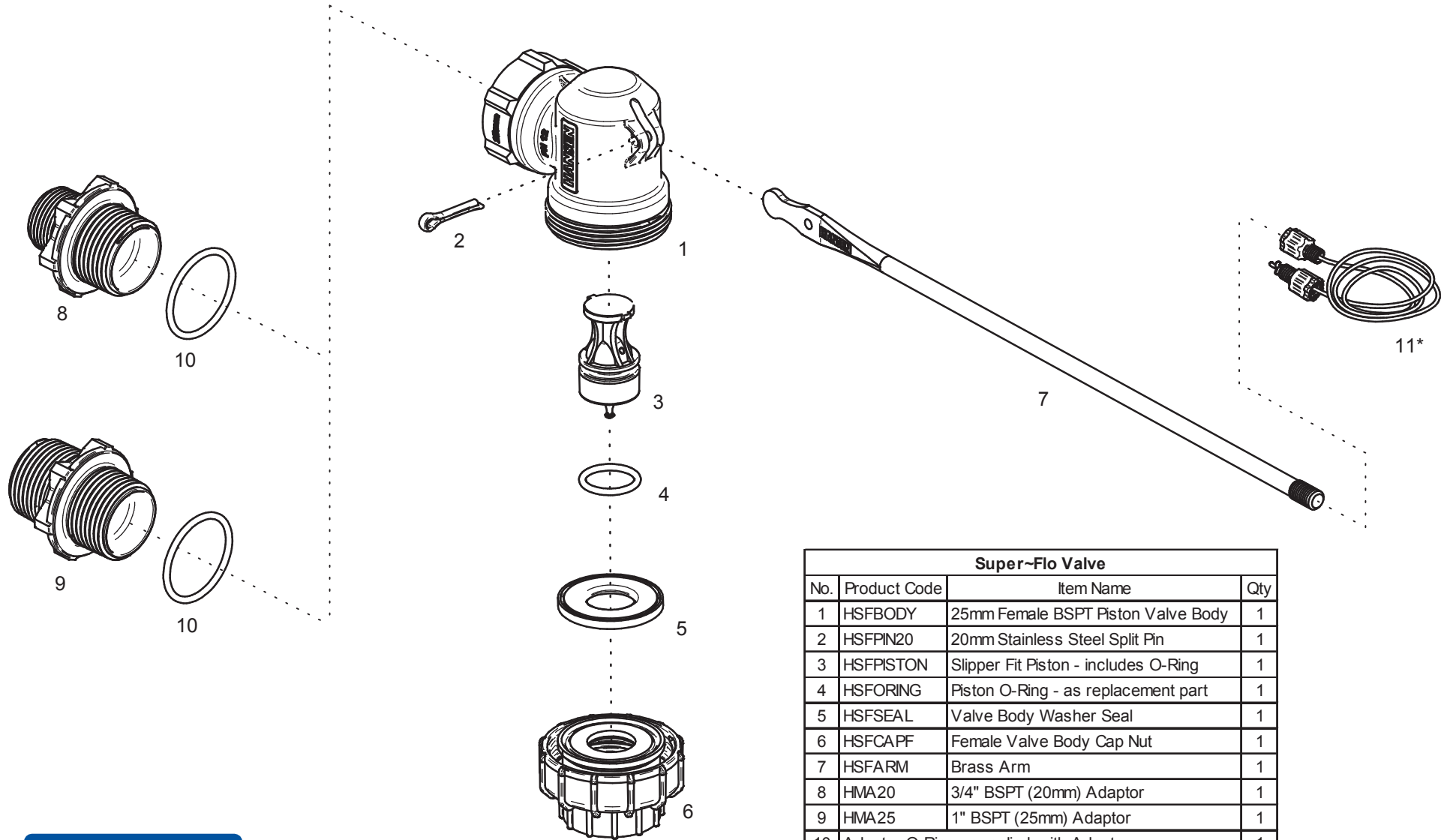


Super-Flo

Piston Valve Assembly Instructions



Super-Flo Valve			
No.	Product Code	Item Name	Qty
1	HSFBODY	25mm Female BSPT Piston Valve Body	1
2	HSFPIN20	20mm Stainless Steel Split Pin	1
3	HSFPISTON	Slipper Fit Piston - includes O-Ring	1
4	HSFORING	Piston O-Ring - as replacement part	1
5	HSFSEAL	Valve Body Washer Seal	1
6	HSFCAPF	Female Valve Body Cap Nut	1
7	HSFARM	Brass Arm	1
8	HMA20	3/4" BSPT (20mm) Adaptor	1
9	HMA25	1" BSPT (25mm) Adaptor	1
10		Adaptor O-Ring - supplied with Adaptor	1
11*	HCORD	700mm Cord and Nuts	1

* Not supplied with short arm Superflo's.

HANSEN[™]

www.hansenproducts.com

HDB 093 1402