

Super-Flo Technical Information

Super-Flo Features and Benefits

- High Performance and Cost Effective Trough Valve (29 PSI, 188 l/min)
- Each valve will fit multiple thread and connection combinations
- Strong Compact Design
- Delivers high volumes of water quickly with unrestricted full flow
- Patent pending* "Slipper Fit Piston" design to reduce valve sticking
- Low operating pressure required reducing pumping costs and increasing flow
- Mini body design to enable easy installation
- Manufactured from strong, non corrosive UV Stabilised materials
- Available in Female and Male BSPT, NPT, ACME thread configurations
- Suitable for High/Low Pressure operations (from 0 bar to 12 bar)
- Variable open and close action preventing valve bounce and water hammer
- *Super-Flo* Piston Valve is supplied with: Acetal or Brass Valve Body, Glass Fibre Reinforced Nylon Threaded Adaptors, Brass Arm and Cord and Nuts

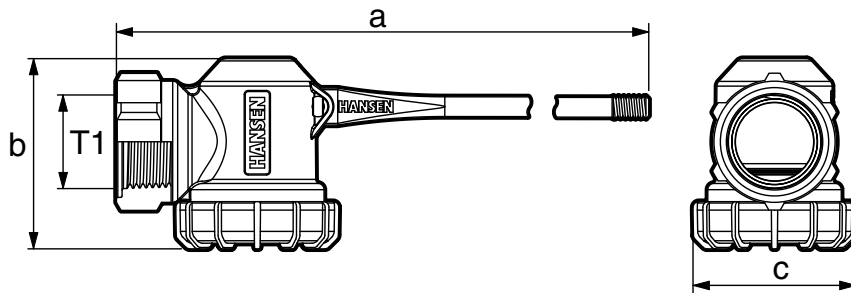
NB Adaptor configurations vary per pack

This product is protected by intellectual property rights owned by the Hansen group of companies in NZ and pending in other countries, including NZ patent applications 585472/585246 and NZ registered design 413594.

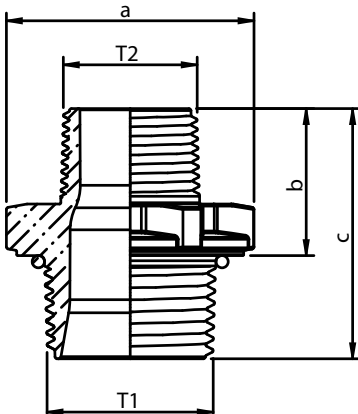
Super-Flo Dimensions

LONG BRASS ARM						
Product Code Acetal Valve	Product Code Brass Valve	T1 BSPT (DN)	a mm Acetal Valve	b mm Brass Valve	b mm	c mm
HSFPV2520	HSFPV2520B	1" (25mm)	376	371	69	58
HSFPV2015	HSFPV2015B	3/4" (20mm)	376	371	69	58
HSFPV2520L	HSFPV2520BL	1" (25mm)	376	371	69	58
HSFPV2015L	HSFPV2015BL	3/4" (20mm)	376	371	69	58

SHORT BRASS ARM						
Product Code Acetal Valve	Product Code Brass Valve	T1 BSPT (DN)	a mm Acetal Valve	b mm Brass Valve	b mm	c mm
HSFPV2520LS	HSFPV2520BLS	1" (25mm)	250	245	69	58
HSFPV2015LS	HSFPV2015BLS	3/4" (20mm)	250	245	69	58
HSFPV2520S	HSFPV2520BS	1" (25mm)	250	245	69	58
HSFPV2015S	HSFPV2015BS	3/4" (20mm)	250	245	69	58



Adaptor Dimensions



Product	T1 BSPT	T2 BSPT	a mm	b mm	c mm
SHORT TAIL ADAPTORS					
15mm Adaptor BSPT	1" (25mm)	1/2" (15mm)	48	21.5	47
20mm Adaptor BSPT	1" (25mm)	3/4" (20mm)	48	28.5	48.5
25mm Adaptor BSPT	1" (25mm)	1" (25mm)	48	31.5	51.5
32mm Adaptor BSPT	1" (25mm)	1 1/4" (32mm)	48	31.5	51.8
40mm Adaptor BSPT	1" (25mm)	1 1/2" (40mm)	49	38.5	58.5
50mm Adaptor BSPT	1" (25mm)	2" (50mm)	60.5	44	64
LONG TAIL ADAPTORS					
15mm Adaptor BSPT	1" (25mm)	1/2" (15mm)	48	72	92.7
20mm Adaptor BSPT	1" (25mm)	3/4" (20mm)	48	77.5	97.5
25mm Adaptor BSPT	1" (25mm)	1" (25mm)	54	77.5	97.5
32mm Adaptor BSPT	1" (25mm)	1 1/4" (32mm)	64	85.5	105.5

Super-Flo Parts and Materials

The *Super-Flo* Piston Valve is manufactured from Potable Water approved materials

- *Super-Flo* Piston Valve Body – Acetal or Brass
- Split Pin – Stainless Steel
- Slipper Fit Piston – Acetal
- Piston O-Ring – Potable Water Approved
- Valve Body Washer Seal – Thermoplastic Polyurethane Elastomer
- Valve Body Cap Nut – Glass Fibre Reinforced Nylon
- Brass Arm
- Cord Nuts – Glass Fibre Reinforced Nylon
- Cord – Polyester

Adaptors

- Adaptor – Glass Fibre Reinforced Nylon
- Adaptor O-Ring – Portable Water Approved

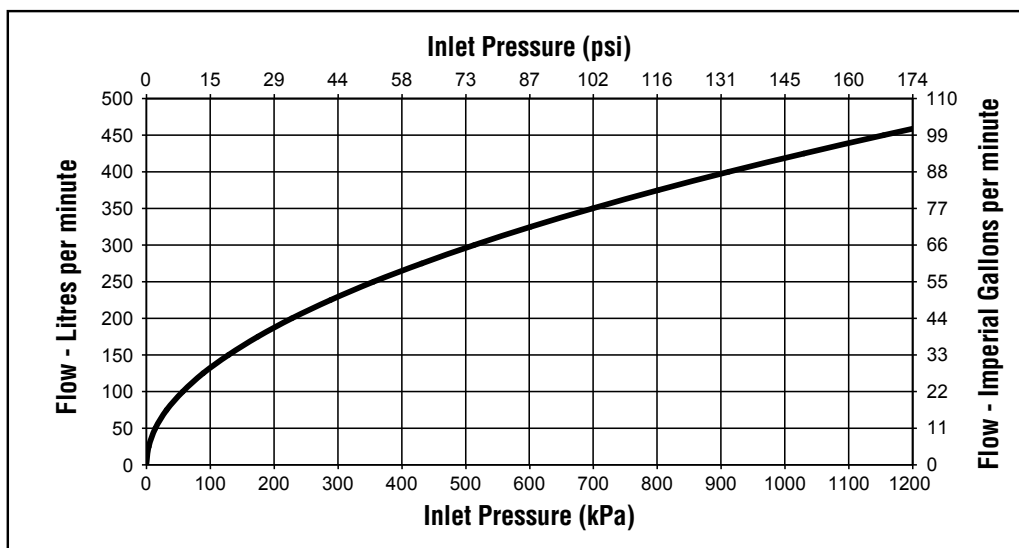
Float

- Float – High Density Polyethylene
- Thread Insert – Glass Fibre Reinforced Nylon

Super-Flo Working Pressures

The Hansen *Super-Flo* Valve will operate from 0.2 Bar to 12 Bar

Super-Flo Acetal Valve Flow Chart



SuperFlo Acetal Valve Chemical Resistance Chart

CHEMICAL TYPE	RESISTANCE LEVEL		
	Good	OK But Check Further	BAD Try to Avoid
Drinking Water	X		
Sea Water	X		
Bloat Remedies Diluted		X	
CHEMICAL TYPE	RESISTANCE LEVEL		
Acids Weak			X
Acids Strong			X
Organic Acids Weak		X	
Organic Acids Strong			X
Bases Weak	X		
Bases Strong			X
Bleach			X
CHEMICAL TYPE	RESISTANCE LEVEL		
Automotive Fuel			X
Automotive Lubricants			X
Hydraulic Fluids			X
CHEMICAL TYPE	RESISTANCE LEVEL		
Solvents			X
Hydrocarbons			X
Halogens			X
Alcohols			X
Aldehydes			X
Amines			X
Esters			X
Ethers			X
Ketones			X
CHEMICAL TYPE	RESISTANCE LEVEL		
Detergents	X		
Oxidising Agents			X
Weak Hydrogen Peroxide			X
Ozone			X
Phenols			X
CHEMICAL TYPE	RESISTANCE LEVEL		
Calcium Chloride			X

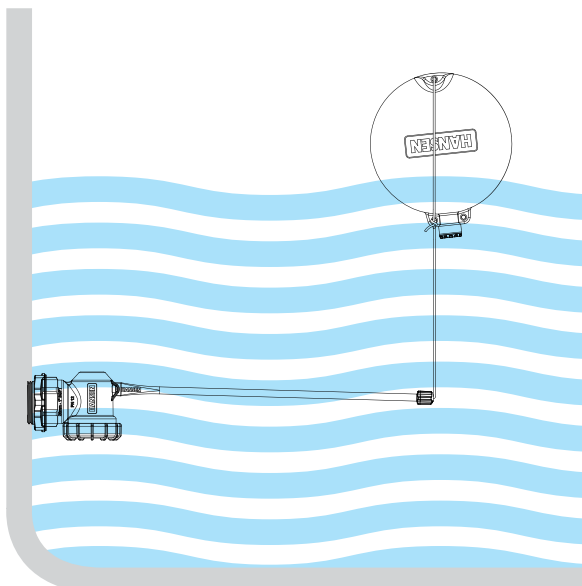
PLEASE NOTE: This chart is intended as a basic guide only. The resistance to a given chemical will vary with temperature & concentrations. Some chemicals within the group mentioned may result in different rating. For further information, please email us with your specific question.

Super-Flo Installation Guide

Trough Installation:

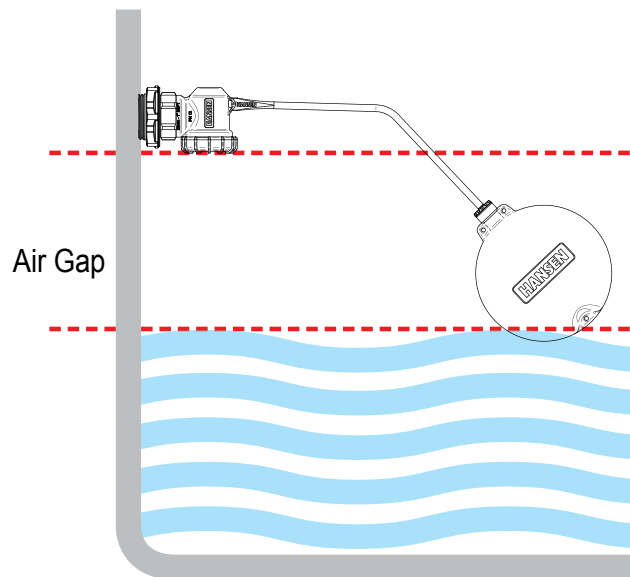
- Flush pipe lines into water troughs before installing *Super-Flo* Valve into new system
- Isolate the water trough to replace valve in existing scheme
- Thread O-Ring end of correct size adaptor into valve body

Super-Flo Side Entry



TO CHANGE WATER LEVEL
 Adjust length of cord at top of float

Super-Flo Top Entry



Side Entry Trough:

- Thread *Super-Flo* Valve into existing trough fitting
- Screw the nut with cord onto the *Super-Flo* Brass arm
- Thread cord through the *Super-Flo* float. Tie the cord off to achieve the correct on/off and water level

Top Entry Trough:

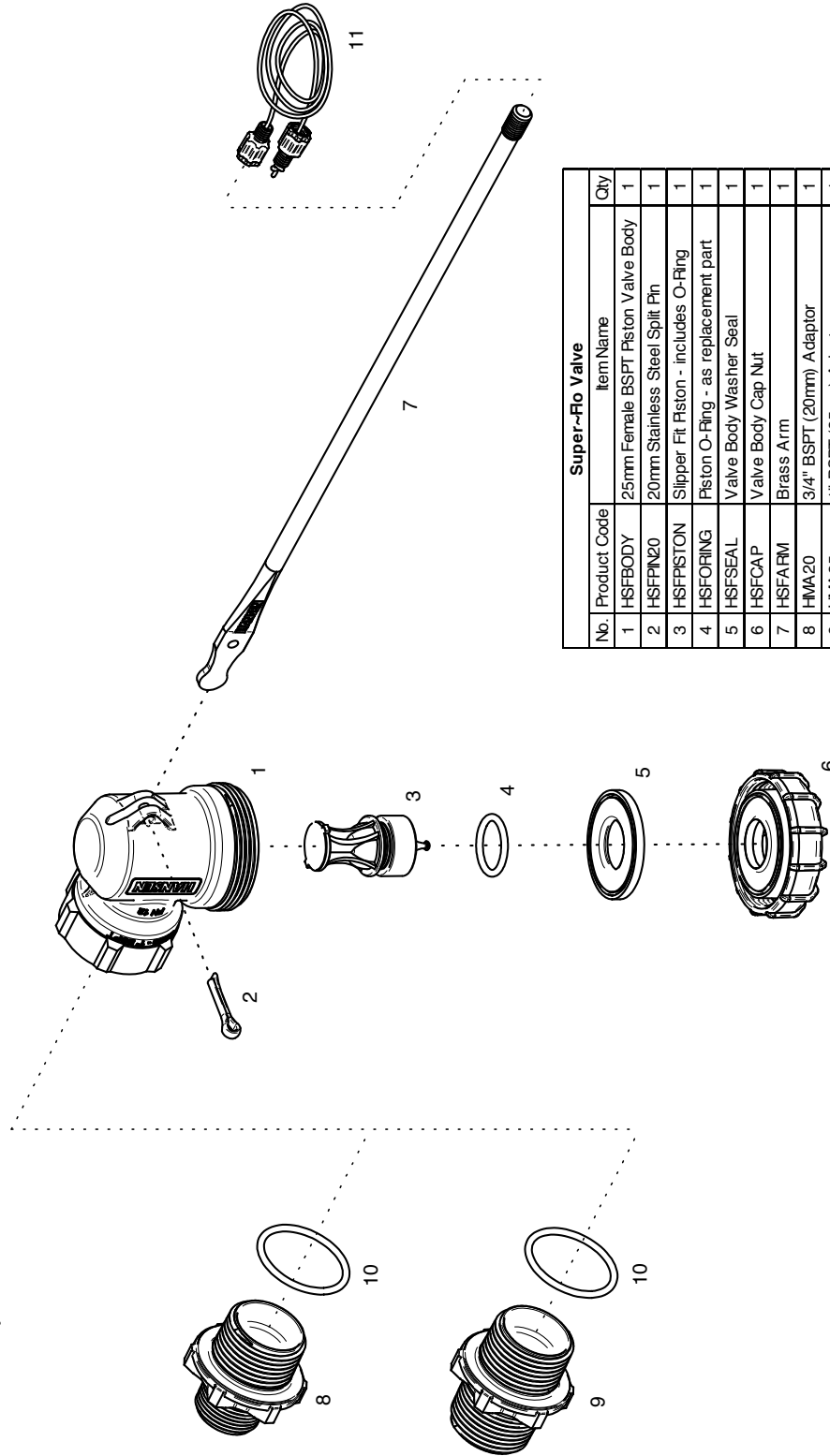
- Thread *Super-Flo* Valve into existing trough fitting
- Screw the float on to the brass arm
- Hold the body of the valve at arm entry point
- Bend brass arm to achieve the correct on/off and water level.

Wall Thickness Guide

Hansen Long Adaptors Maximum Wall Thickness for Troughs when screwed into a Hansen Female Bend

Adaptor	Trough Wall
HMAL15	14mm
HMAL20	22mm
HMAL25	19mm
HMAL32	24mm

Super~Flo Piston Valve Assembly Instructions



Super~Flo Valve			
No.	Product Code	Item Name	Qty
1	HSFBODY	25mm Female BSPT Piston Valve Body	1
2	HSFPIN20	20mm Stainless Steel Split Pin	1
3	HSFPISTON	Slipper Fit Piston - includes O-Ring	1
4	HSFORING	Piston O-Ring - as replacement part	1
5	HSFSEAL	Valve Body Washer Seal	1
6	HSFCAP	Valve Body Cap Nut	1
7	HSFARM	Brass Arm	1
8	HMA20	3/4" BSPT (20mm) Adaptor	1
9	HMA25	1" BSPT (25mm) Adaptor	1
10	Adaptor O-Ring	supplied w ith Adaptor	1
11	HCORDD	650mm Cord and Nuts	1

SuperFlo Frequently Asked Questions

- Q My troughs have both 20mm & 25mm threaded inlets, does your Hansen *SuperFlo* Valve come in both sizes?**
- A** Yes the Hansen *SuperFlo* Valve comes with the required components to install in 20mm or 25mm threaded inlets. This of course means you only have to buy one valve for all sized inlets.
- Q Will the higher flow cost me more to run my pump?**
- A** No, because the Hansen *SuperFlo* Valve is more efficient than what you are used to. The reduced operating pressure required will equate to higher flows at lower pressures at your pump which in turn will reduce pumping time and cost.
- Q At present I get valve bounce in my troughs, will your valve stop this?**
- A** Yes, valve bounce is created from high flows at high pressures, because our Hansen *SuperFlo* Valve delivers higher flows than other valves it will effectively reduce line pressure which in return will reduce the incidences of this problem by also reducing water hammer.
- Q I have problems with having to forever clean my valves as my water supply can get dirty at times, how will the Hansen *SuperFlo* Valve handle these conditions?**
- A** We have designed the Hansen *SuperFlo* Valve to work in either clean or dirty water situations.
- Q What pressure can I run my Hansen *SuperFlo* Valve at?**
- A** The Hansen *SuperFlo* Valve will operate from 0.2bar to 12bar.
- Q The valves I have at present have a tendency to jam open or closed costing me time and either a bog around my trough or no available water for my stock, will your valve stop this problem?**
- A** Yes the Hansen *SuperFlo* Valve has a new patent pending “Slipper Fit Piston” design seal assembly to minimise this problem.