

## Max~Flo Trough / Tank Valve Technical Information

### Max~Flo Features and Benefits

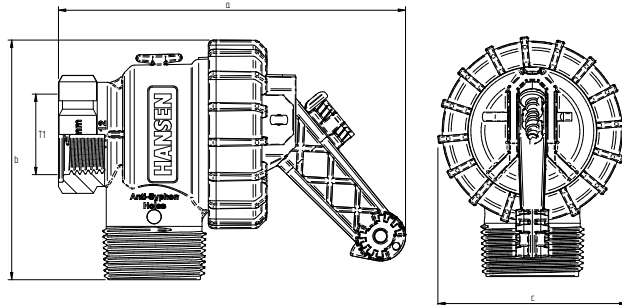
- High Performance, Cost Effective Trough/Tank Valve (29 psi, 570 l/min)
- Suitable for Side, Bottom and Top entry
- Strong Compact Design
- Delivers high volumes of water quickly with unrestricted full flow
- Patent pending\* "Self Cleaning Pilot" for use in clean/dirty water
- Low operating pressure required reducing pumping costs and increasing flow
- Manufactured from strong, non corrosive UV stabilised materials
- Mini body design to enable easy installation
- Available in Female and Male BSPT, NPT and ACME thread configurations
- Suitable for High/Low Pressure operations - from 0.2 Bar to 12 Bar
- Variable open and close action preventing valve bounce and water hammer
- *Max~Flo* Diaphragm Valve is supplied with: Complete Valve Body, Adaptors, Adjustable Extension Arm, 100mm Blue Flanged Float and 650mm Cord.

\*NB Adaptor Configurations vary per pack

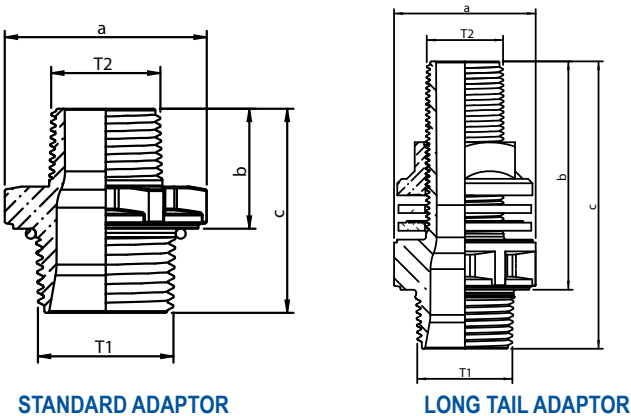
\*This product is patent and registered design pending in NZ and other countries and is copyright. *Hi~Flo*, *Max~Flo*, and *Super~Flo* are trade marks of Hansen Products Ltd.

### Max~Flo Dimensions

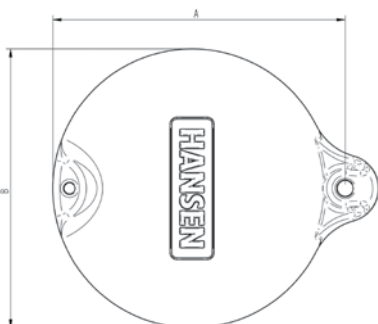
T1 BSPT (DN)	a mm	b mm	c mm
1" (25mm)	144	98	76



### Adaptor Dimensions



Product	T1 BSPT	T2 BSPT	a mm	b mm	c mm
<b>STANDARD ADAPTORS</b>					
15mm Adaptor BSPT	1" (25mm)	1/2" (15mm)	48	34	54
20mm Adaptor BSPT	1" (25mm)	3/4" (20mm)	48	35	55
25mm Adaptor BSPT	1" (25mm)	1" (25mm)	48	38	58
32mm Adaptor BSPT	1" (25mm)	1 1/4" (32mm)	48	32	52
40mm Adaptor BSPT	1" (25mm)	1 1/2" (40mm)	49	39	59
50mm Adaptor BSPT	1" (25mm)	2" (50mm)	61	44	64
<b>LONG TAIL ADAPTORS</b>					
15mm Adaptor BSPT	1" (25mm)	1/2" (15mm)	48	73	93
20mm Adaptor BSPT	1" (25mm)	3/4" (20mm)	48	78	98
25mm Adaptor BSPT	1" (25mm)	1" (25mm)	54	78	98
32mm Adaptor BSPT	1" (25mm)	1 1/4" (32mm)	64	86	106



### Float Dimensions

100mm Flanged Float	
a mm	b mm
104	100

\* Applies to both Blue and Hi Viz Floats