

General Description

2/2 way normally closed. Power to open.
Zero Differential – Coupled Diaphragm

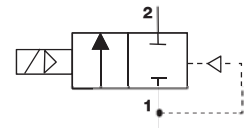
Typical applications include the delivery of liquids and air with, low pressure/head requirements. Vacuum or variable pressure such as water towers and treatment systems, mild chemical dosing, hydroponics, boom spray and irrigation systems.

Technical Details

Function: Normally Closed
Valve Design: Direct Coupled diaphragm
Body: Glass Reinforced Nylon
Seat: Viton (FKM)
Operator: Stainless Steel
Duty Cycle: Continuous operation 100% ED c/w LED connector plug IP65
Media: Non aggressive media up to 40 CST
Viscosity (e.g. Air & Water)
Installation: As required, preferably upright.
Life Expectancy: Hundreds of thousands of cycles.



Circuit Function



*2/2-way valve, normally closed
2-way pilot with coupled/servo diaphragm*

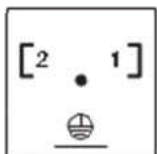
Servo Assisted Diaphragm Valve – Nylon Body – Normally Closed

Model	Function	Port Size (BSP)	Orifice (mm)	CV	Pressure (BAR)		Vacuum Hg"	Media Temperature	Material of Construction
					AC	DC			
P55-4-16-★V	N.C.	½	16	5	0 - 8	0 - 6	27	0°C - 65°C	Body: G.R. Nylon Seats: Viton (FKM) Operator: Stainless Steel
P55-5-20-★V	N.C.	¾	20	10	0 - 8	0 - 6	27		
P55-6-25-★V	N.C.	1	25	12	0 - 8	0 - 6	27		

*Voltage code: 1 – 240vAC, 2 – 110vAC, 5 – 24vAC, 7 – 12vDC, 8 – 24vDC, 11 – 415vAC

Connector Plug (with LED)

1 & 2 input terminals
(Non polarity conscious)



Earth Terminal

Coil Specification

c/w LED Connector Plug.
IP65 Electrical Protection.

Space Part #	To Suit	AC (VA)	DC (Watts)	Insulation Class	DIN Standard
SC-E16-★	½" – 1"	18	16	F	43650-A



Dimensions

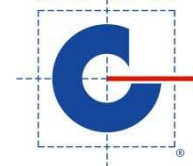
Model	G	A	B	C	H	Weight (Kg)	Rebuild Kit #
P55-4-16-★V	1/2"	69	57	15.5	107	0.6	RK-PS5-5V
P55-5-20-★V	3/4"	73	57	17	115	0.6	
P55-6-25-★V	1"	99	77	21	121	0.7	RK-PS5-6V



Quality
ISO 9001

SAI GLOBAL

JAS-ANZ

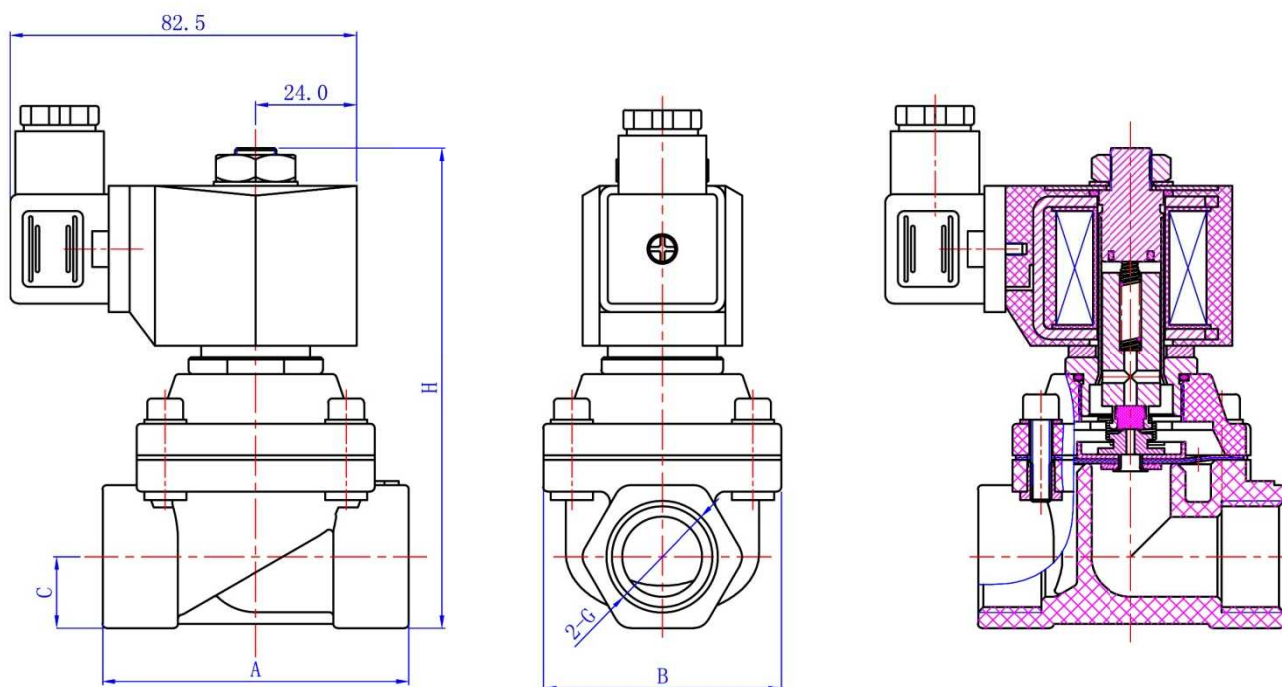


Maximum Torque Settings

Ports 1 & 2

- 1/2" 20Nm
- 3/4" 30Nm
- 1" 40Nm

Armature guide tube: 10Nm



Irrigation Express
Online irrigation supplies