

WPH-40-250 Removable Element Woltman Water Meter



WPH-40	(DN40)
WPH-50	(DN50)
WPH-65	(DN65)
WPH-80	(DN80)
WPH-100	(DN100)
WPH-125	(DN125)
WPH-150	(DN150)
WPH-200	(DN200)
WPH-250	(DN250)

WPH Woltman removable meters are suitable for measuring the water in relatively stable flowrate, such as mine factories, main supply line of water. They conform to ISO4064 class B.

Characteristics

- Removable measuring inserts are divided into four categories: DN40-65, DN80- 200, DN250, easy for maintenance.
- Low pressure loss, high flow capacity, suitable for measuring supply line of water.
- Magnet-driven dry type structure, neat counter displaying clearly.
- 360° rotating counter, convenient for reading.
- 6 enlarged or 7 normal figure rolls to show readings.
- Epoxy resin powder coating and stainless steel fasteners, rust proofing to the largest extent, extending the service life.
- Wearable shaft and bearing system, prominently strengthen the meters' long-term stability, reliability and maximum durable flowrate.
- Can be equipped with signal-transmitting counter, realizing outputs of multiple pulse signals (single/double/triple reed switch, light-emitting diode(opto), metal sensor(namur), Hall component).
- Can be equipped with unremovable outer cover.

Working conditions

- Water temperature: cold meter $\leq 50^{\circ}\text{C}$ hot meter $\leq 90^{\circ}\text{C}$ (DN40-200)
- Water pressure: $\leq 1.0\text{ MPa}/1.6\text{ MPa}$

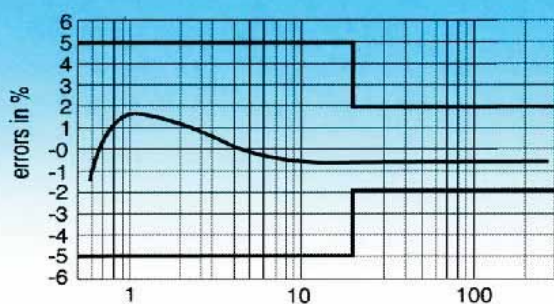
Installation modes

- Straight pipe is required
- Need to add a strainer
- Parallel/vertical installation

Technical data

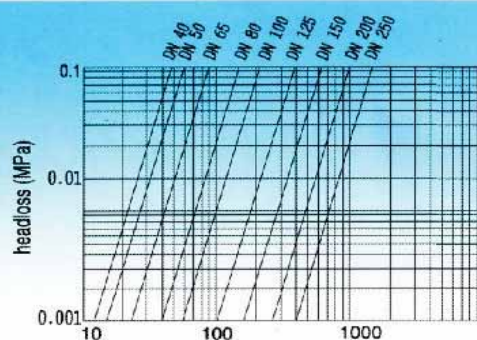
Nominal diameter	DN	mm	40	50	65	80	100	125	150	200	250
Nominal flow rate	qp	m ³ /h	15	15	25	40	60	100	150	250	400
Maximum flow rate(short-term)	qs	m ³ /h	60	90	120	150	250	300	350	650	1200
Maximum flow rate(durable)	qs	m ³ /h	30	30	50	80	120	200	300	500	800
Transitional flow rate	qt	m ³ /h	3	3	5	8	12	20	30	50	80
Minimum flow rate(cold/warm)	qmin	m ³ /h	0.45/0.6	0.45/0.6	0.75/1.0	1.2/1.6	1.8/2.4	3/4.0	4.5/6.0	7.5/10	12
Pressure loss		mpa	0.03						0.03		
Maximum dial indication		m ³	999,999/9,999,999						9,999,999/99,999,999		
Minimum dial indication		m ³	0.0005/0.002						0.005/0.02		
Pulse		m ³ /p	0.1/ 1						1/10		

Error curve



flowrate in % from qp

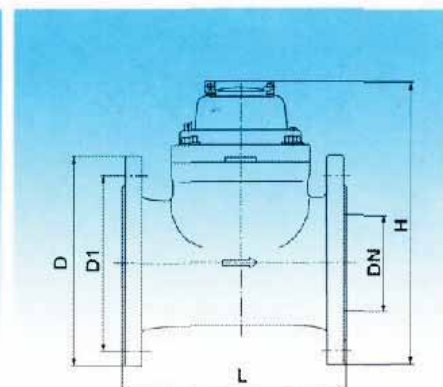
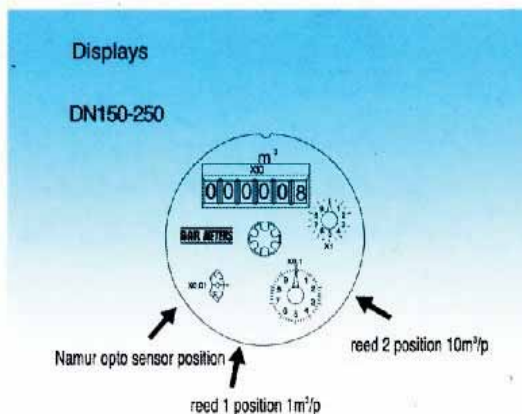
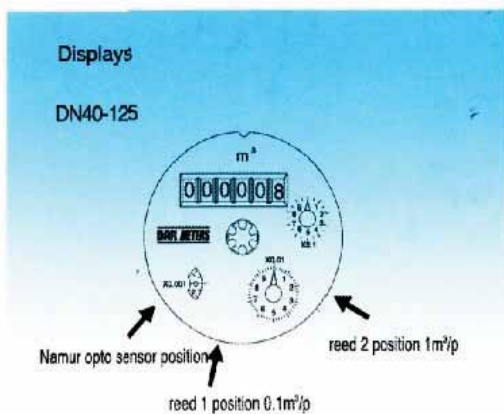
Head loss curve



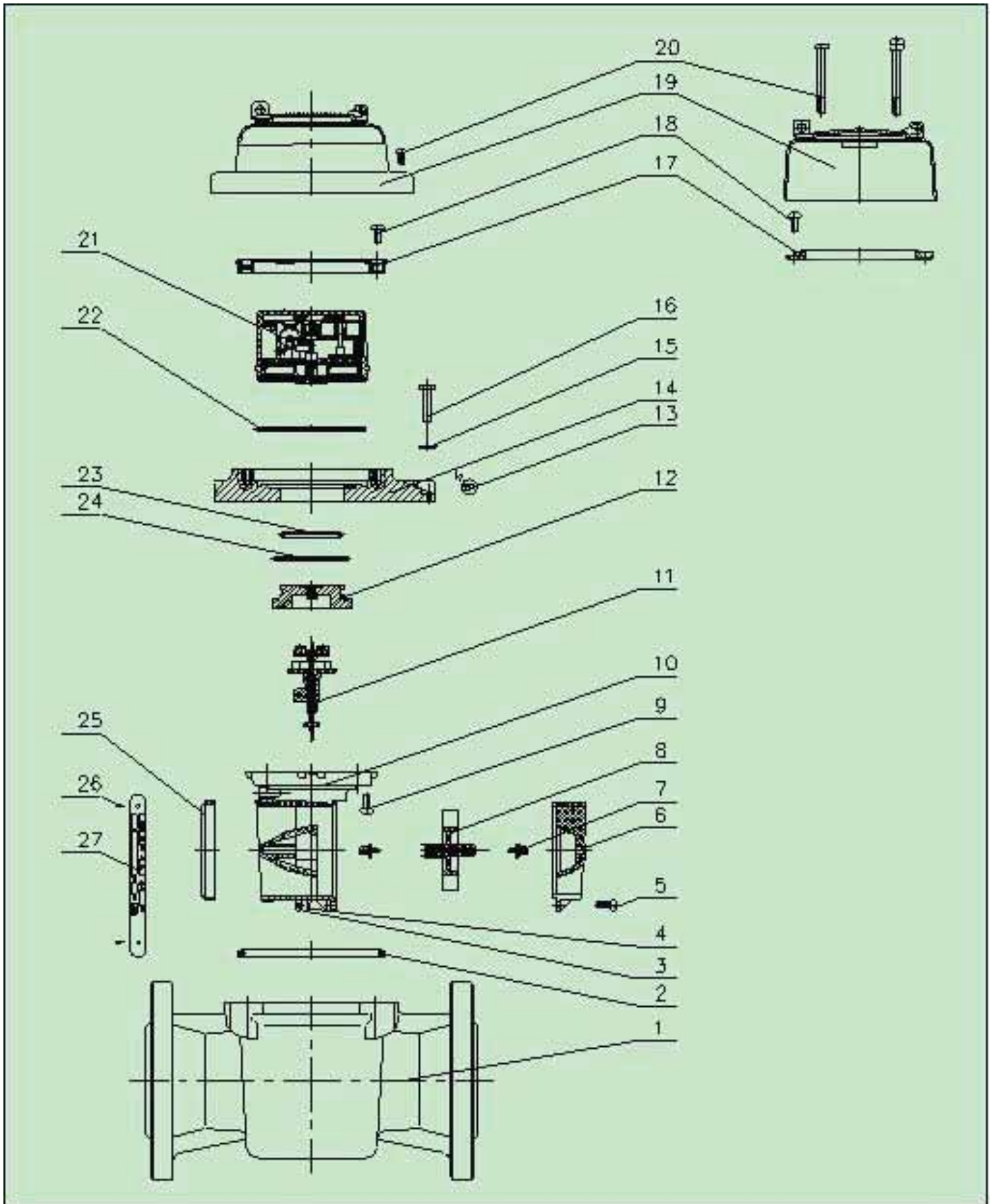
flowrate(m³/h)

Dimensions

Nominal diameter	DN	mm	40	50	65	80	100	125	150	200	250
Length	L	mm	200	200	200	225/200	250	250	300	350	450
Height	H	mm	206	210	218	280	290	310	320	364	475
Flange connected	D	mm	150	165	185	200	220	250	285	340	405
Screws Hole diameter		PC.-mm	4-φ 19	4-φ 19	4-φ 19	4/8-φ 19	8-φ 19	8-φ 19	8-φ 23	8/12-φ 23	12-φ 28
Bolt circle	D1	mm	110	125	127	146	178	210	235	292	356
Weight		kg	9.8	10.6	11.6	16.3/15.5	17.8	21.6	31.5	46	94



parts list of WPH-40-65



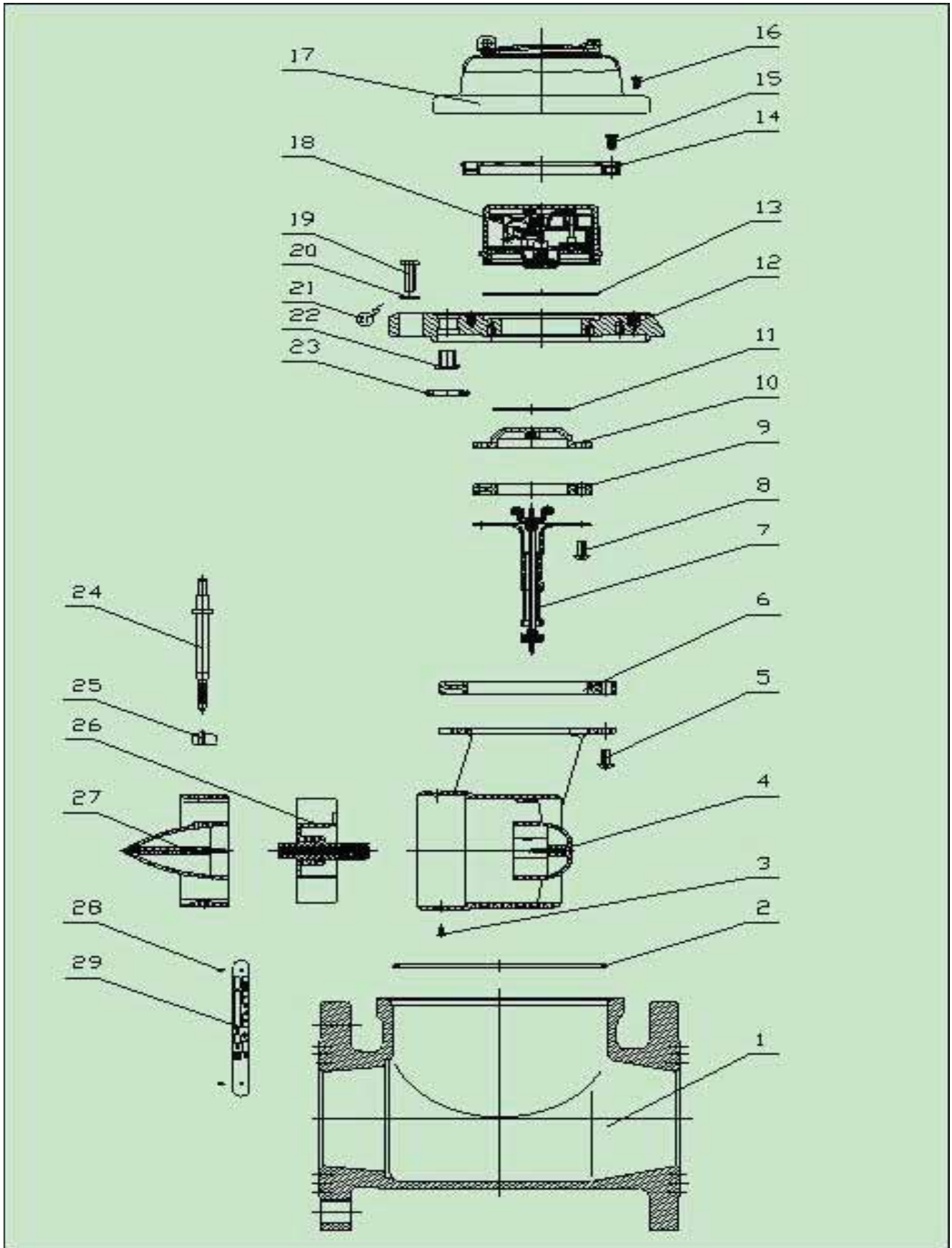
parts list of WPH-40-65

No.	Name	Qty
1	BODY	1
2	GASKET	1
3	M4 NUT	3
4	4 WASHER	3
5	M4X12 SCREW	3
6	BACK SEAT	1
7	SHAFT ASSEMBLY	2
8	IMPELLER ASSEMBLY	1
9	M5X16 SCREW	4
10	YOKE	1
11	GEAR MAGNET ASSEMBLY	1
12	UPPER BEARING ASSEMBLY	1
13	LEAD, WIRE	/
14	LXLG40 COVER	1
	LXLG50-65 COVER	1
15	12 WASHER	4
16	M12X35 BOLT	3
	M12X35 BOLT WITH HOLE	1
17	RETAINING RING	1
18	M4X8 SCREW	3
19	LID ASSEMBLY	1
20	M5X45 SCREW	2

No.	Name	Qty
21	M4X20 SCREW	3
	REGISTER	1
22	GASKET	1
23	37.5X2.65 O-RING	1
24	43.7X2.65 O-RING	1
25	RECTIFIER	1
26	∅3 AL RIVET	2
27	NAME PLATE	1



parts list of WPH-80-250



parts list of WPH-80-250

No.	Name	Qty
1	BODY	1
2	136X3.55 O-RING	1
3	M4X8 SCREW	1
4	YOKE	1
5	M5X12 SCREW	4
6	YOKE BLOCK DN200	1
7	GEAR MAGNET ASSEMBLY	1
	GEAR MAGNET DN200	
8	M5X12 SCREW	4
9	SHIELD BLOCK DN200	1
10	UPPER BEARING ASSEMBLY	1
11	50X2.65 O-RING	1
12	COVER	1
13	GASKET	1
14	RETAINING RING	1
15	M4X8 SCREW	3
16	M4X20 SCREW	3
17	LID ASSEMBLY	1
18	REGISTER	1
19	M12X 35 BOLT	3
	M12X 35 BOLT WITH HOLE	1

No.	Name	Qty
20	M8X 15 SCREW	2
	12 WASHER	4
21	LEAD, WIRE	/
22	COPPER BUSHING	1
23	REGULATING SEAL GASKET	1
24	REGULATING SHAFT	1
25	REGULATING WASHER	1
26	IMPELLER ASSEMBLY	1
27	RECTIFIER	1
28	φ3 AL REVIT	2
29	NAME PLATE	1

