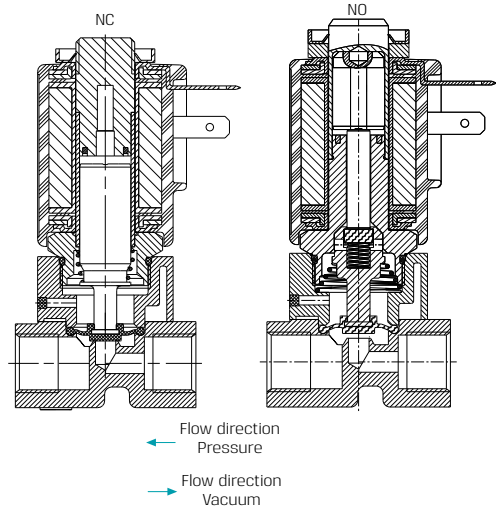


ISOLATED / FERTILIZER SOLENOIDS

GEM-C | Chem-Sol 1/4", 2 Way NC, NO



Technical Data

Function	2 Way NC, NO
Ports size	1/4" BSP & NPT
Orifice size	4.5mm
Pressure range	See table
Kv (l/min)	5 l/min
Temperature range	Fluid : 5° to 50°C Ambient : -10°C to 50°C
Materials in contact with media	Manual override: NC : Plastic NO : Manual override is not available Main Valve: Reinforced PPA Seals: FPM (Viton®), EPDM, Silicone
Applications	<ul style="list-style-type: none"> • Chemical process • Water treatment • Analysis device etc
Coil voltage	<ul style="list-style-type: none"> • Voltage and power consumption - see table • All Baccara coil voltages are ± 10% of nominal
Standard protection class	IP65 with connector * Option : IP68 (please refer to GEM-BP Coil)

Pressure (bar) table NC

Coil	Flow direction not restricted	Flow direction restricted
ADC *	0 to 2 bar	0 to 0.5 bar
AC 8W	0 to 2.5 bar	0 to 0.7 bar
AC 5.5W	0 to 2 bar	0 to 0.5 bar
DC 5.5W	0 to 1.5 bar	0 to 0.4 bar

Vacuum (bar) table NC

Coil	Flow direction not restricted	minimum Δp
ADC *	-1 to 2 bar	1 bar
AC 5.5W	-1 to 2 bar	
DC 5.5W	-1 to 1.5 bar	

Pressure (bar) table NO

Coil & power rating	Flow direction not restricted	Flow direction restricted ⁽¹⁾
ADC*, AC 8W or DC10W	0 to 1 bar	0 to 0.5 bar
5.5W AC/DC	0 to 1 bar	0 to 0.5 bar

(1) Higher input pressure of up to 1atm can be achieved with minimal pressure drop on the valve of 0.3atm

* ADC valves are only suitable for use with AC8W or DC10W coils.

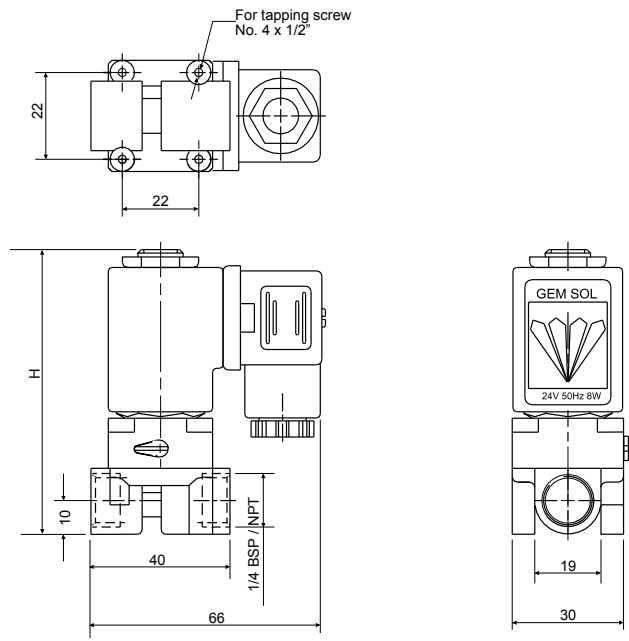
Voltage & Power Consumption NC & NO valves

V	AC (W)						DC (W)		
	50 Hz			60 Hz			10	5.5	3.5
6							•	•	
12	•			•			•	•	
24	•	•		•	•		•		
48	•			•			•		
110	•			•	•		•		
120	•			•					
220	•	•		•			•		
230	•	•							
240	•			•			•		

• Available options

GEM-C | Chem-Sol 1/4" 2 Way NC, NO

Dimensions



Notes

Type	Valve Description	H
NC	GEM-C-12 □1...	81
NO	GEM-C-12 □2...	84.5

How to Order

GEM-C	BODY	PORT	FUNCTION	PRESSURE	SEALS	MANUAL OVERRIDE ⁽¹⁾	VOLTAGE	POWER	CONNECTOR								
Plastic	1	1/4" BSP	20	2W NC	1	Vacuum	1	FPM (Viton®)	V	None	0	W/out coil	0	No coil	0	without	0
												6	1	AC8W 50Hz	1	with	1
		1/4" NPT	21	2W NO	2	Pressure	2	EPDM	E	Plastic	1	12	2	AC8W 60Hz	2	with LED	2
												24	3	DC10W	3	with bi-color LED	3
												48	4	AC5.5W 50Hz	4	flying leads coil	4
												110	5	AC5.5W 60Hz	5	with 1/2" Hub	5
												120	6	DC5.5W	7	surge protection with LED connector with moulded cable	6
												220	7A		7	other	7
												230	7		7		9
												240	8		8		
Latch/other ⁽²⁾	9		9														

Example : GEM-C-12012V1-321

GEM-SOL Chem-Sol, PPA, 1/4"BSP, 2W NC, Pressure, FPM (Viton®), plastic manual override, 24V AC 8W 60 Hz with connector.

GEM-C - 1 20 1 2 V 1 - 3 2 1

(1) NO - manual override is not available
 (2) For specifying Latch type coil, please refer to How to Order table on pg 15.

* Note: When ordering without coil, please define what current and pressure rating is needed (DC, AC or ADC), otherwise an ADC valve will be supplied.

* To order valves manufactured according to your specific requirements, please contact our technical sales department.