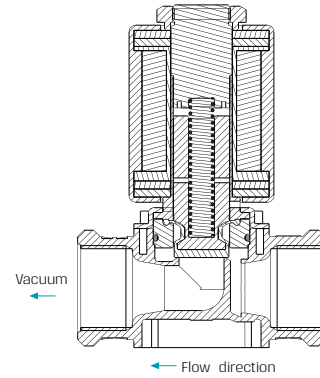


# ISOLATED / FERTILIZER SOLENOIDS

## GEM-C | Chem-Sol 3/4" 2 Way NC



### Technical Data

Function	2 Way NC
Ports size	3/4" BSP & NPT
Orifice size	14mm
Pressure range	See table
Kv (l/min)	40 l/min
Temperature range	<b>Fluid</b> : 5°C to 50°C   <b>Ambient</b> : -10°C to 50°C
Materials in contact with media	<b>Main Valve:</b> PVC <b>Seals:</b> FPM (Viton®), EPDM
Applications	<ul style="list-style-type: none"> <li>• Chemical process</li> <li>• Water treatment</li> <li>• Analysis device etc</li> </ul>
Coil voltage	<ul style="list-style-type: none"> <li>• Voltage and power consumption - see table</li> <li>• All Baccara coil voltages are from -5% to ±10% of nominal</li> <li>• AC - inrush 65VA at 50 Hz holding 32VA (18W) at 50 Hz</li> <li>• DC - 38W</li> </ul>
Standard protection class	IP65 with connector * Option : IP68 (please refer to GEM-BP Coil)

### Pressure (bar) table NC

Coil *	Flow direction not restricted	Flow direction restricted
AC / DC	0 to 3 bar	Min dp 1 bar

\* Coil : Suitable for all available wattage, see How to Order table

### Vacuum (bar) table NC

Coil *	Flow direction not restricted	Flow direction restricted
AC / DC	-1 to 0.5 bar	-1 to 0.5 bar

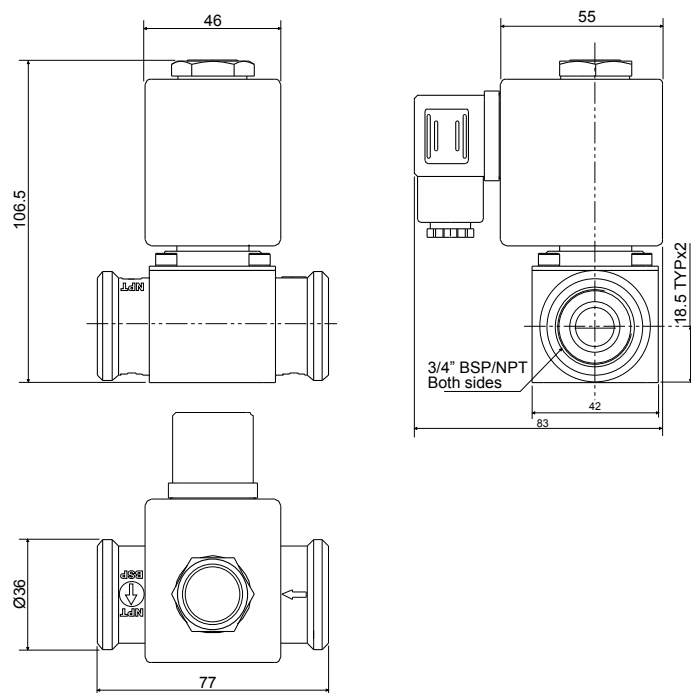
\* Coil : Suitable for all available wattage, see How to Order table

### Voltage & Power Consumption

V	AC (W)		DC (W)
	50 Hz	60 Hz	
12			•
24	•	•	•
110		•	
120			•
230	•		•

• Available options

## Dimensions



## How to Order

GEM-C	PORT	FUNCTION	PRESSURE	SEALS	VOLTAGE	POWER	CONNECTOR
3/4" BSP	50	2W NC 1	Vacuum 1	FPM (Viton®) V	W/out coil 0	No coil 0	without 0
3/4" NPT	51		Pressure 2	EPDM E	12 2	AC38W 50Hz E	with 1
					24 3	AC38W 60Hz F	with LED 2
					110 5	AC18W 50Hz G	with bi-color LED 3
					120 6	DC38W J	with 1/2" Hub 5
					230 7		surge protection with LED 6
					Latch/other (1) 9		connector with moulded cable 7
							other 9

### Example : GEM-C-5011V-3G1

GEM-SOL Chem-Sol, 3/4"BSP, 2W NC for vacuum, FPM (Viton®), 24V AC 18W 50Hz with connector.



(1) For specifying Latch type coil, please refer to How to Order table on pg 15.

\* Note: When ordering without coil, please define what current and pressure rating is needed (DC, AC).

\* To order valves manufactured according to your specific requirements, please contact our technical sales department.