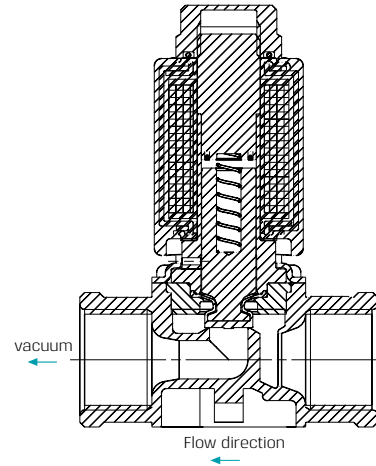


# ISOLATED / FERTILIZER SOLENOIDS

## GEM-C | Chem-Sol 1/2" 2 Way NC



### Technical Data

Function	2 Way NC
Ports size	1/2" BSP & NPT
Orifice size	8mm
Pressure range	See table
Kv (l/min)	18 l/min
Temperature range	<b>Fluid</b> : 5°C to 50°C   <b>Ambient</b> : -10°C to 50°C
Materials in contact with media	<b>Manual override:</b> Plastic <b>Main Valve:</b> PVC <b>Seals:</b> FPM (Viton®), EPDM
Applications	<ul style="list-style-type: none"> <li>• Chemical process</li> <li>• Water treatment</li> <li>• Analysis device etc</li> </ul>
Coil voltage	<ul style="list-style-type: none"> <li>• Voltage and power consumption - see table</li> <li>• All Baccara coil voltages are from -5% to ±10% of nominal</li> </ul>
Standard protection class	IP65 with connector * Option : IP68 (please refer to GEM-BP coil)

- Supplied with mounting threads on request, please specify.

### Pressure (bar) table NC

Coil	Flow direction not restricted	Flow direction restricted
AC 8W, DC10W	0 to 0.7 bar	Min dp 0.3 bar

### Vacuum (bar) table NC

Coil	Flow direction not restricted	Flow direction restricted
AC 8W	-1 to 0.5 bar	-1 to 0.5 bar
AC 5.5W	-0.5 to 0.5 bar	-0.8 to 0.5 bar
DC 10W	-0.4 to 0.5 bar	-0.6 to 0.5 bar

### Voltage & Power Consumption

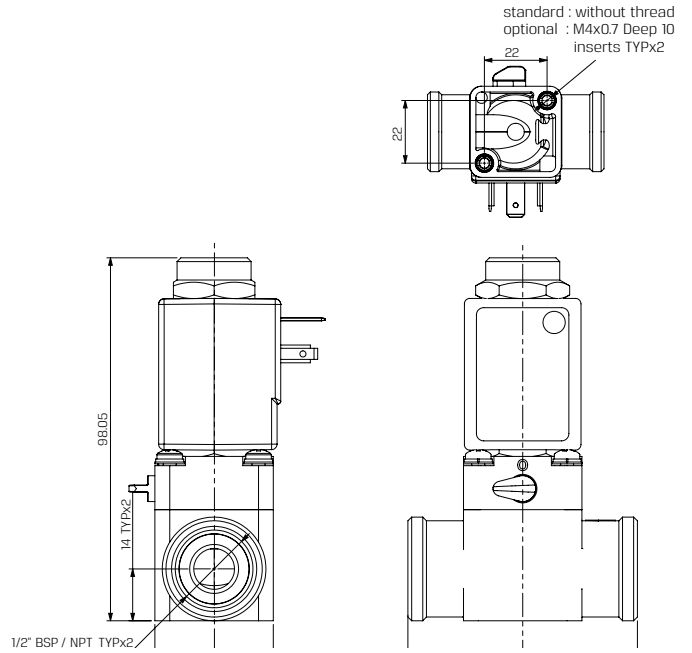
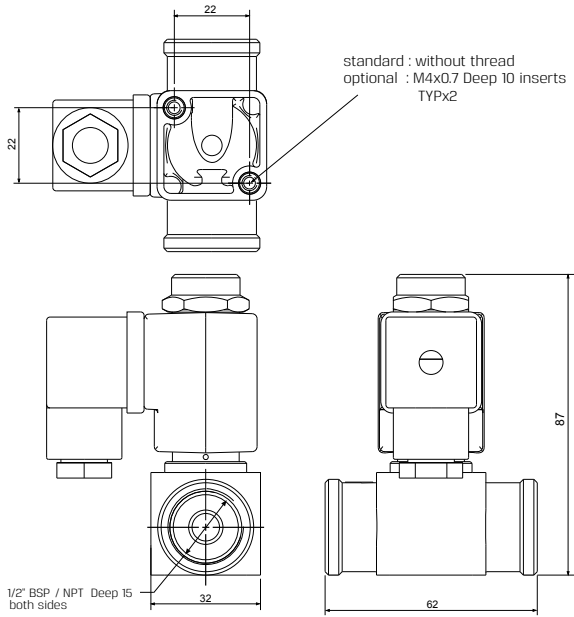
V	AC (W)						DC (W)		
	50 Hz			60 Hz			10	5.5	3.5
6							•	•	
12	•	•		•	•		•	•	
24	•	•	•	•	•	•	•	•	
48	•	•		•	•		•	•	
110	•	•		•	•	•	•	•	
120	•	•		•	•				
220	•	•	•	•	•	•	•	•	
230	•	•	•						
240	•	•		•	•		•	•	

Available options :

- Vacuum
- Pressure

# GEM-C | Chem-Sol 1/2" 2 Way NC

## Dimensions



With Manual Override

## How to Order

GEM-C	PORT	FUNCTION	PRESSURE	SEALS	MANUAL OVERRIDE	VOLTAGE	POWER	CONNECTOR							
1/2" BSP	40	2W NC	1	Vacuum	1	FPM (Viton®)	V	None	Null	W/out coil	0	No coil	0	without	0
1/2" NPT	41			Pressure	2	EPDM	E	Plastic	1	6	1	AC8W 50Hz	1	with	1
										12	2	AC8W 60Hz	2	with LED	2
										24	3	DC10W	3	with bi-color LED	3
										48	4	AC5.5W 50Hz	4	flying leads coil	4
										110	5	AC5.5W 60Hz	5	with 1/2" Hub	5
										120	6			surge protection with LED	6
										220	7A			connector with moulded cable	7
										230	7			other	9
										240	8				
										Latch/ other <sup>(1)</sup>	9				

### Example : GEM-C-401V1-321

GEM-SOL Chem-Sol, 1/2" BSP, 2W NC for vacuum, FPM (Viton®), plastic manual override, 24V AC 8W 60Hz with connector.



(1) For specifying Latch type coil, please refer to How to Order table on pg 15.

\* Note: When ordering without coil, please define what current and pressure rating is needed (DC, AC).

\* To order valves manufactured according to your specific requirements, please contact our technical sales department.