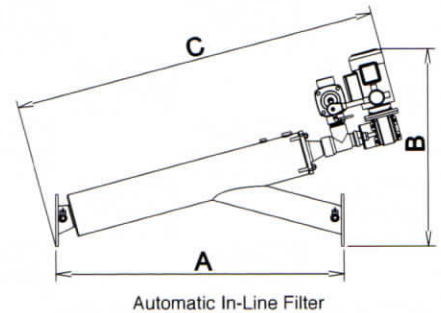
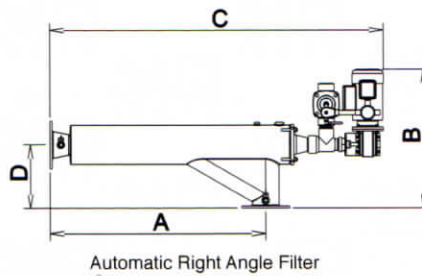
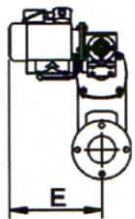
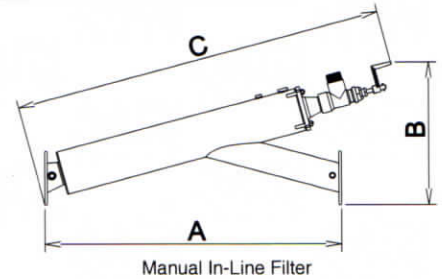
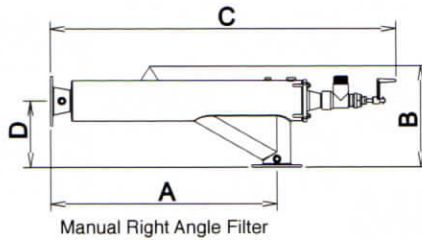
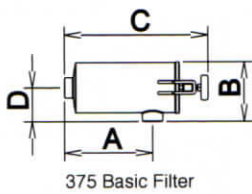


## Dimensions:

Model	A	B		C		D	E
		Manual	Automatic	Manual	Automatic		
375 Basic	255	180	-	430	-	100	-
375 In-Line	418	300	355	610	605	-	230
500 In-Line	544	260	370	750	755	-	230
750 In-Line	668	380	510	1,000	995	-	270
750 Right Angle	485	345	415	985	1,000	250	270
1,500 In-Line	1,175	460	530	1,475	1,510	-	270
1,500 Right Angle	975	370	440	1,460	1,490	280	270
3,000 In-Line	1,140	640	660	1,500	1,505	-	270
3,000 Right Angle	830	470	490	1,430	1,440	330	270
4,500 In-Line (150F)	1,590	730	705	1,890	1,860	-	300
4,500 In-Line (200F)	1,370	755	730	1,790	1,760	-	300
4,500 Right Angle	1,120	540	530	1,755	1,730	400	300
7,500 In-Line	1,740	845	815	2,120	2,100	-	300
7,500 Right Angle	1,405	784	655	2,050	2,030	520	300
10,000 In-Line	2,240	1,035	1,010	2,555	2,535	-	300
10,000 Right Angle	1,760	1010	835	2,625	2,600	700	300



## Performance Characteristics: Head Loss vs Flow:

**Note:** Nominal filter flow rates are determined at 15kPa head loss with a clean screen and clean water. Advice should be sought for higher flow rates. Performance characteristics stated may vary considerably depending on the type and volume of contaminants, degree of filtration required and other system characteristics. Contact DIX to discuss project specific flow rates.

